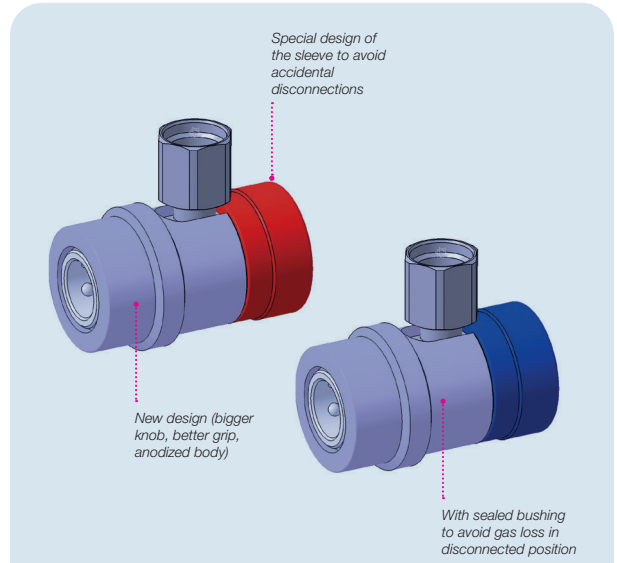


ACR-ACB SERIES











INTERCHANGE > SAE J639



Stucchi®



TECHNICAL FEATURES AND OPTIONS

 Interchange SAE J639	 Sealing description HNBR	 Connection system Push - screw
 Available sizes 1/4"	 Material Aluminium, Brass	 Available threads SAE - METRIC
 Operating pressure Up to 41 bar	 Locking mechanism Locking ball + screw to connect	 Temperature (°C) -30° / +130°
 Valving style Poppet		

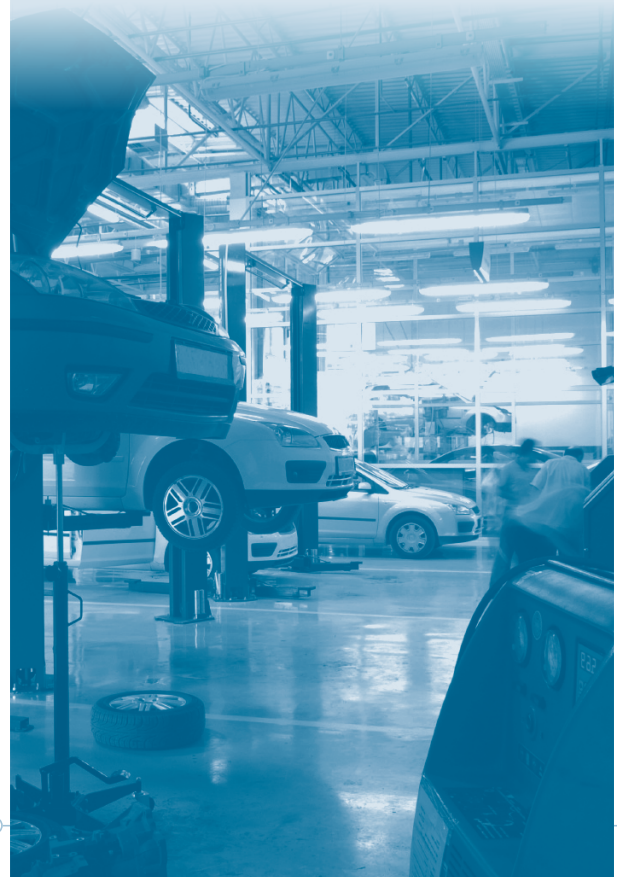
BENEFITS

- New design (bigger knob, better grip, anodized body)
- Compact size
- High quality
- The new range of Stucchi meet all the requirements of the market: R134A, HFO1234YF, upon request conforming VDA
- With sealed bushing to avoid gas spillage in disconnected position
- Special design of the sleeve to avoid accidental disconnections

HOW TO USE

- Before connection, clean the mating surface of the couplings to avoid dirt inclusion in the circuit.
- To connect turn the knob anticlockwise, then pull back the sleeve of the female coupling, align the female with the male coupling and push one into the other until both halves are fully connected and release the sleeve.
- Refill the cooling system used in A/C system of the car by opening the internal valve turning the knob clockwise.
- To disconnect turn the knob anticlockwise (closing the internal valve), pull back the sleeve of the female coupling and pull out the mating half.

MAIN APPLICATIONS



VEHICLE A/C

PERFORMANCES

Size	Series/Size	Max. operating pressure		Burst pressure	
		MPa	psi	MPa	psi
1/4	F ACR/ACB	4.14	600	8,28	1200

- ACR = HIGH PRESSURE version (red color)
- ACB = LOW PRESSURE version (blue color)

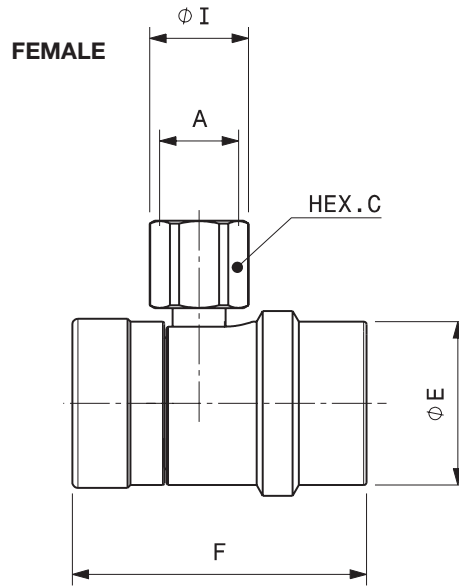
- Standard seal in HNBR



! WARNING

A defect, a wrong choice or an improper use of products, can cause injury to persons, animals and objects. Make sure that the medium used is compatible with seal and material as indicated for each series. In case of doubt please contact Stucchi Technical Support. The interchangeability is mentioned under the assumption that the manufacturer of the considered products has not changed any dimension. **It is mandatory to carefully read and closely follow the instructions before selecting or using any Stucchi products.** Always refer to the version uploaded in the Instructions and warning section of stucchigroup.com website for the latest release. For specific, product-related, instructions, please contact Stucchi technical service.

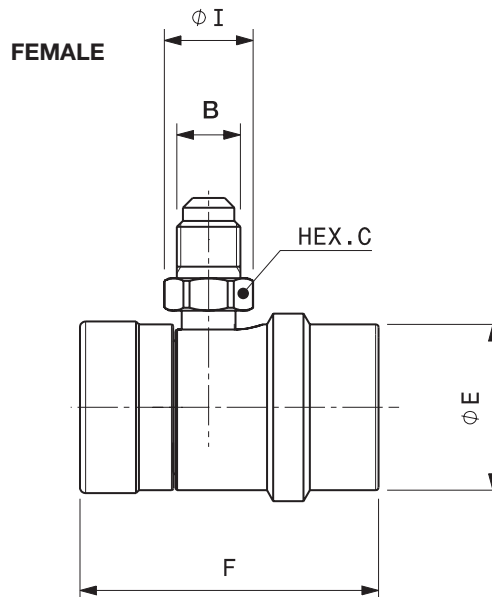
OVERALL DIMENSIONS



Port description: SAE J2197

Model for refrigerant R134A - port M14X1,5

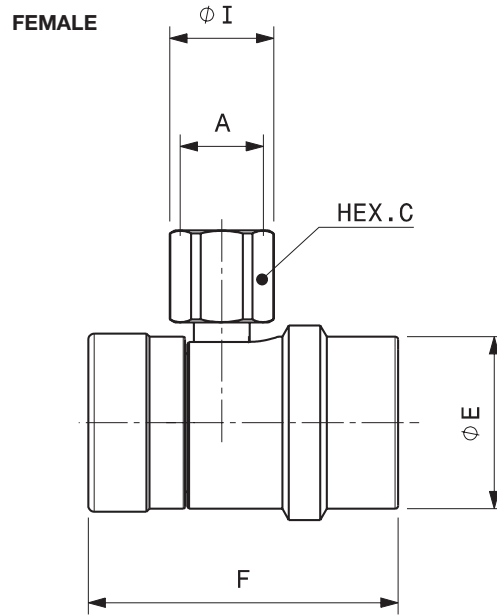
Descriptive Code	Item Code	PORT (A)	Overall Length		Wrench Flat		Diameter		Diameter		Weight	
			mm	inch	mm	inch	mm	inch	mm	inch	Kg	Lbs
F ACR M14X1.5 90 J639 R134A	Female Red 800262360	A M14X1.5	F 52,2	2,06	C 16,0	0,63	E 29,0	1,14	I 17,5	0,69	0,16	0,35
F ACB M14X1.5 90 J639 R134A	Female Blue 800262362											



Port description: SAE J2197

Model for refrigerant R134A - port 1/4 SAE45

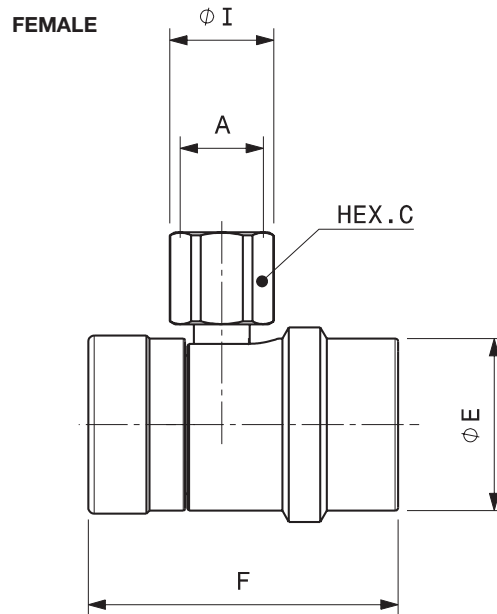
Descriptive Code	Item Code	PORT (A)	Overall Length		Wrench Flat		Diameter		Diameter		Weight	
			mm	inch	mm	inch	mm	inch	mm	inch	Kg	Lbs
F ACR 1/4 SAE45 90 J639 R134A	Female Red 800255324	B 1/4 SAE45	F 52,2	2,06	C 14,0	0,55	E 29,0	1,14	I 15,5	0,61	0,16	0,35
F ACB 1/4 SAE45 90 J639 R134A	Female Blue 800255326											



Port description: SAE J2888

Model for refrigerant HF01234YF, upon request conforming VDA

Descriptive Code	Item Code	PORT (A)	Overall Length		Hex		Diameter		Diameter		Weight				
			mm	inch	mm	inch	mm	inch	mm	inch	Kg	Lbs			
F ACR M12 VDA R1234YF	Female Red 800262368	M12 x 1,5	60,8	2,39	C	16,0	0,63	E	29,0	1,14	I	17,5	0,69	0,19	0,42
F ACB M12 VDA R1234YF	Female Blue 800262370	M12 x 1,5	59,8	2,35	C	16,0	0,63	E	29,0	1,14	I	17,5	0,69	0,19	0,42



Port description: SAE J2888

Model for refrigerant HF01234YF - NOT CONFORMING VDA

Descriptive Code	Item Code	PORT (A)	Overall Length		Hex		Diameter		Diameter		Weight				
			mm	inch	mm	inch	mm	inch	mm	inch	Kg	Lbs			
F ACR M12 90 J639 R1234YF	Female Red 800262364	M12 x 1,5	55,4	2,18	C	16,0	0,63	E	29,0	1,14	I	17,5	0,69	0,19	0,42
F ACB M12 90 J639 R1234YF	Female Blue 800262366	M12 x 1,5	53,9	2,12	C	16,0	0,63	E	29,0	1,14	I	17,5	0,69	0,17	0,37