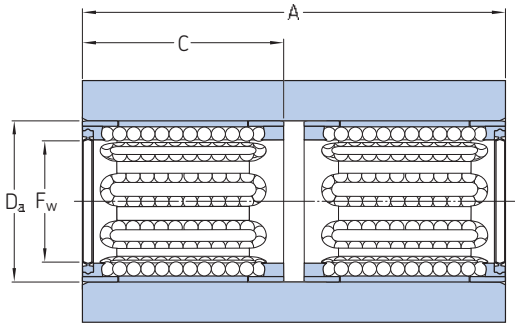
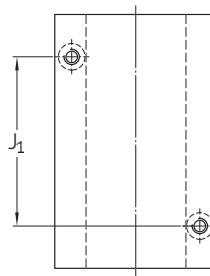
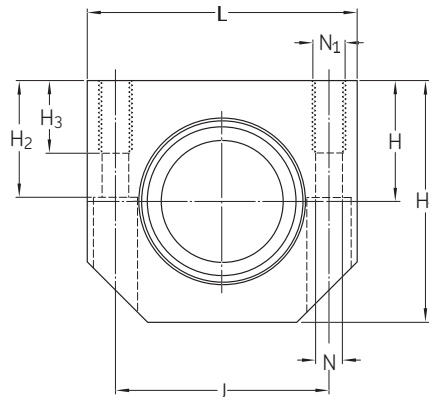


# Tandem linear bearing units – LTBR

- with closed housing and LBBR linear ball bearings



LTBR  
With double lip seals on the outside



Dimensions											Basic load ratings		Mass	Designations		
$F_w$	A	C	$D_a$	H <small>±0,01</small>	$H_1$	$H_2$	$H_3$	J	$J_1$	L	$N^{1)}$	$N_1^{1)}$			C	$C_0$
mm											—	N	kg			
12	60	28	19	17	33	16	11	29	35	40	4,3	M 5	1 140	1 020	0,17	LTBR 12-2LS
16	65	30	24	19	38	18	11	34	40	45	4,3	M 5	1 530	1 270	0,22	LTBR 16-2LS
20	65	30	28	23	45	22	13	40	45	53	5,3	M 6	1 900	1 600	0,31	LTBR 20-2LS
25	85	40	35	27	54	26	18	48	55	62	6,6	M 8	3 450	3 150	0,54	LTBR 25-2LS
30	105	50	40	30	60	29	18	53	70	67	6,6	M 8	5 200	5 400	0,80	LTBR 30-2LS
40	125	60	52	39	76	38	22	69	85	87	8,4	M 10	9 000	9 000	1,57	LTBR 40-2LS
50	145	70	62	47	92	46	26	82	100	103	10,5	M 12	11 400	12 700	2,51	LTBR 50-2LS

For suitable shaft blocks for these bearing units, designation LSHS, see page 45.

<sup>1)</sup> For screws with internal hexagon to DIN 912 / ISO 4762.