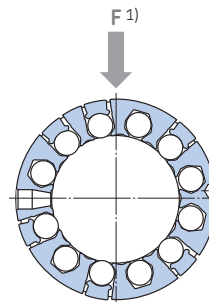
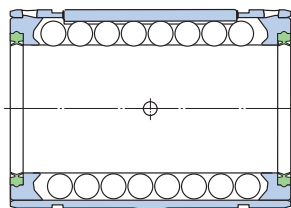
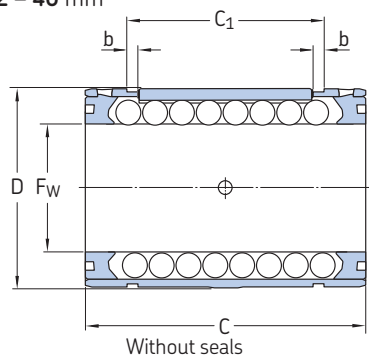


## Linear ball bearings – LBCR .. D

Closed design

F<sub>w</sub> 12 – 40 mm



Without seals

With 2 double lip seals

Dimensions						No. of ball rows		Basic load ratings				Mass	Designations	
F <sub>w</sub>	D	C	C <sub>1</sub>	b		dynamic		static		kg	Linear ball bearing without seals		with 2 double lip seals	
						C		C <sub>0</sub>			-			
						min	max	min	max					
mm						N								
12	22	32	22,6	1,3	5	930	1 370	695	1 120	0,02	<b>LBCR 12 D</b>	<b>LBCR 12 D-2LS</b>		
16	26	36	24,6	1,3	5	1 080	1 600	800	1 290	0,026	<b>LBCR 16 D</b>	<b>LBCR 16 D-2LS</b>		
20	32	45	31,2	1,6	6	2 200	3 250	1 630	2 650	0,056	<b>LBCR 20 D</b>	<b>LBCR 20 D-2LS</b>		
25	40	58	43,7	1,85	6	3 100	4 550	2 360	3 800	0,108	<b>LBCR 25 D</b>	<b>LBCR 25 D-2LS</b>		
30	47	68	51,7	1,85	6	4 800	7 100	3 550	5 700	0,122	<b>LBCR 30 D</b>	<b>LBCR 30 D-2LS</b>		
40	62	80	60,3	2,15	6	7 650	11 200	5 100	8 300	0,205	<b>LBCR 40 D</b>	<b>LBCR 40 D-2LS</b>		

<sup>1)</sup> Direction for max. load ratings

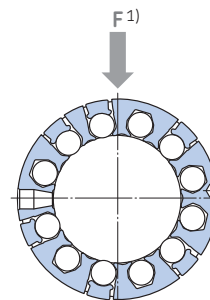
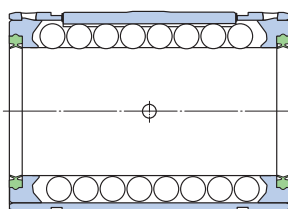
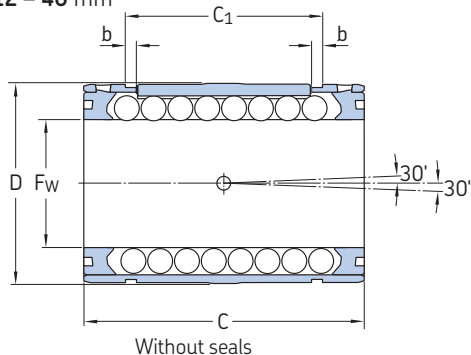
Upon request, these bearings are available in stainless steel version, identified by a HV6 suffix in the designation, e.g. LBCR 20 D-2LS/HV6

Linear ball bearings are available with double lip seal on one side only (seal located on the right side of the bearing - marked with the SKF logo on the cage). Designation example: LBCR 20 D-LS

## Linear ball bearings – LBCD .. D

Self-aligning closed design

F<sub>w</sub> 12 – 40 mm



Without seals

With 2 double lip seals

Dimensions						No. of ball rows		Basic load ratings				Mass	Designations	
F <sub>w</sub>	D	C	C <sub>1</sub>	b		dynamic		static		kg	Linear ball bearing without seals		with 2 double lip seals	
						C		C <sub>0</sub>			-			
						min	max	min	max					
mm						N								
12	22	32	22,6	1,3	5	800	1 220	570	930	0,02	<b>LBCD 12 D</b>	<b>LBCD 12 D-2LS</b>		
16	26	36	24,6	1,3	5	950	1 400	655	1 060	0,025	<b>LBCD 16 D</b>	<b>LBCD 16 D-2LS</b>		
20	32	45	31,2	1,6	6	1 730	2 550	1 120	1 800	0,055	<b>LBCD 20 D</b>	<b>LBCD 20 D-2LS</b>		
25	40	58	43,7	1,85	6	2 600	3 800	1 430	2 320	0,106	<b>LBCD 25 D</b>	<b>LBCD 25 D-2LS</b>		
30	47	68	51,7	1,85	6	3 800	5 600	2 320	3 750	0,120	<b>LBCD 30 D</b>	<b>LBCD 30 D-2LS</b>		
40	62	80	60,3	2,15	6	6 550	9 650	3 350	5 700	0,200	<b>LBCD 40 D</b>	<b>LBCD 40 D-2LS</b>		

<sup>1)</sup> Direction for max. load ratings

Upon request, these bearings are available in stainless steel version, identified by a HV6 suffix in the designation, e.g. LBCD 20 D-2LS/HV6

Linear ball bearings are available with double lip seal on one side only (seal located on the right side of the bearing - marked with the SKF logo on the cage). Designation example: LBCD 20 D-LS