

## 10. CM, CME and Boosters

### CM, CME

50/60 Hz

Drain plug, CM

Pos.	Kit No	96932395		96932396
	Description	Material	E/V	K
25	Drain plug	-	2	2
11	O-ring for plug	EPDM	2	-
		FKM	2	-
		FFKM	-	2

### Motor bearing

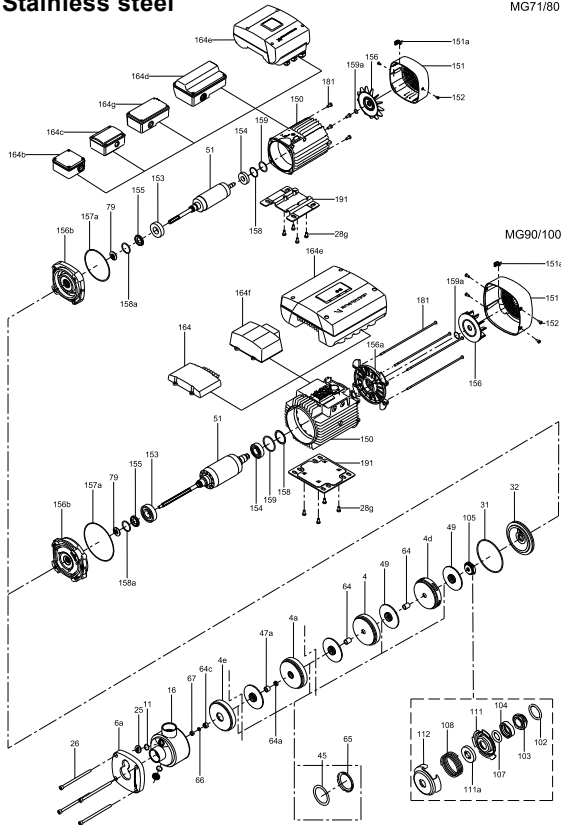
Pos.	Motor type	MG(E)71/80	MG(E)90	MG(E)100	MG(E)112	MG(E)132
	Kit No	96932399	96932400	96932412	96932413	96932414
	Description	All	All	All	All	All
151a	Installation indicator	1	1	1	1	1
158	Corrugated spring	1	1	1	1	1
159	O-ring (NBR)	1	1	1	1	1
153	Ball bearing	1	1	1	1	1
154	Ball bearing	1	1	1	1	1
158a	O-ring	1	1	1	1	1
155	Bearing cover plate	1	1	1	1	1
79	Diverting disc	1	1	1	1	1
159a	Gasket	1	1	1	1	2

### Neck ring

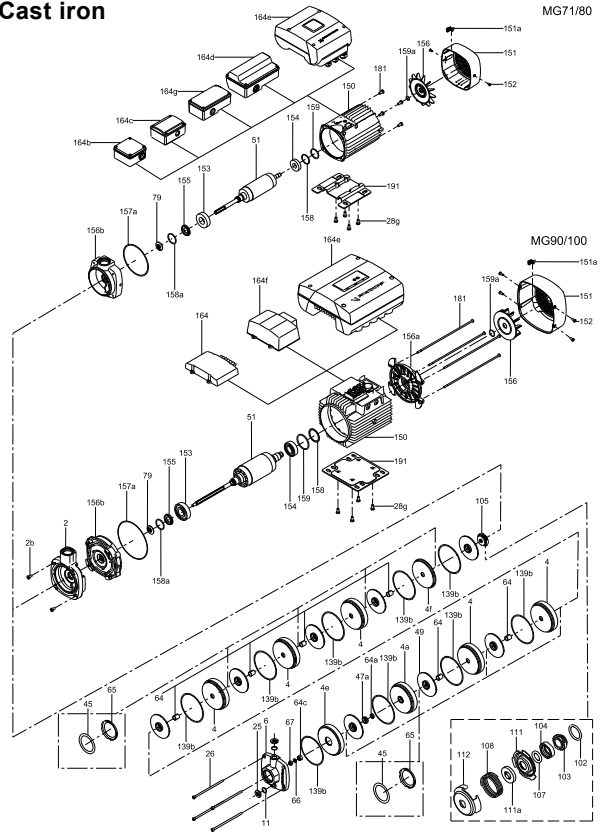
Pos.	Pump type	CM1/3/5	CM1/3/5	CM10/15/25	CM10/15/25
			Cold		Cold
	Kit No	96932397	96932447	96932398	96932448
	Description	All	All	All	All
45	Neck ring	14	14	8	8
65	Neck ring retainer	14	14	8	8

CM 1, 3, 5

Stainless steel

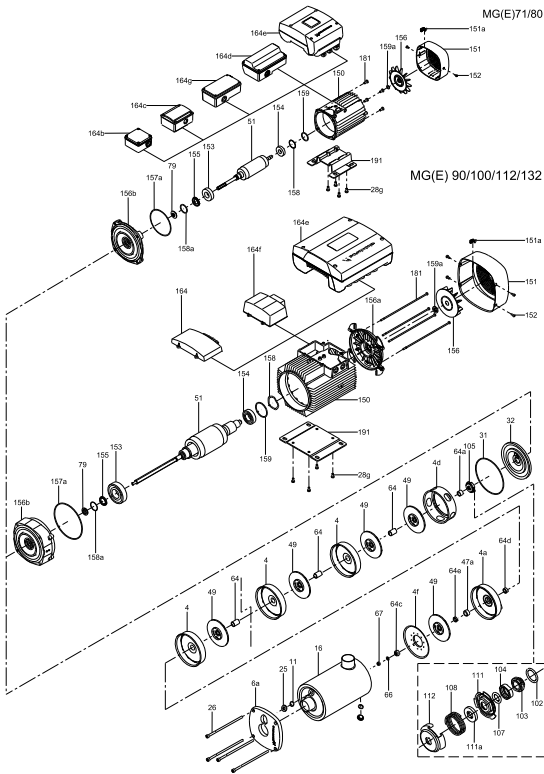


Cast iron

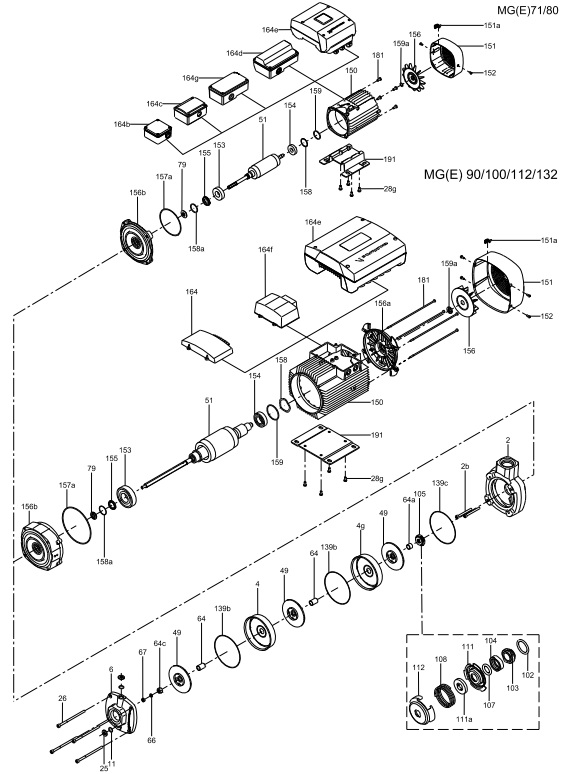


CM 10, 15, 25

Stainless steel



Cast iron



TM04 3588 4608 - TM04 3591 4608

TM04 3828 5108 - TM04 3829 5108

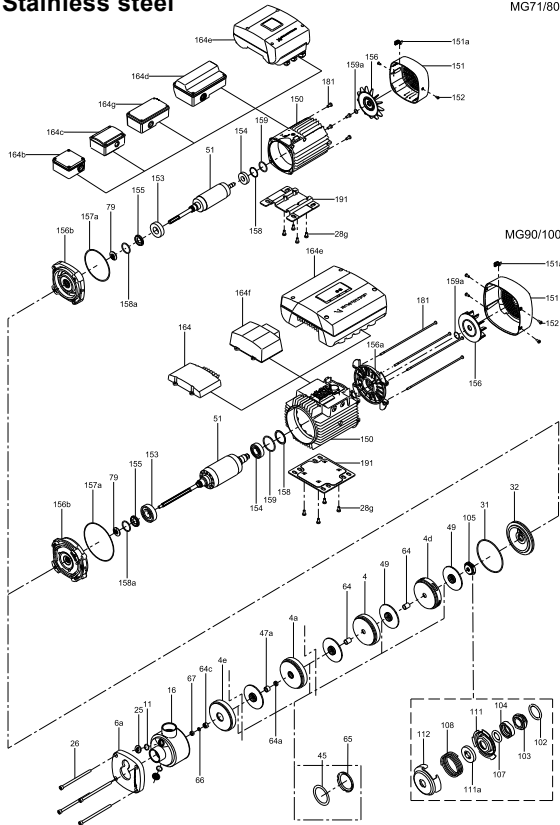
## Seal kit (A version)

Pos.	Pump type		CM1/3/5				
	Kit No		96932350	96932392	988219372	98821938	98092347
	Description	Material	AVBE/V	AQQE/V	AUQE/V	AQBE/V	AQBE
102	O-ring	EPDM	1	1	1	1	1
		FKM	1	1	1	1	-
103	Stationary seal ring	SIC	-	1	1	-	-
		Carbon	1	-	-	1	1
104	Rotating seal ring	SIC	-	1	-	1	1
		Al2O3	1	-	1	-	-
105	O-ring	EPDM	1	1	1	1	1
		FKM	1	1	1	1	-
111	Seal ring retainer	-	1	1	1	1	1
108	Spring	-	1	1	1	1	1
111a	Stop ring	-	1	1	1	1	1
112	Seal driver	-	1	1	1	1	1
139b	Gasket	-	10	10	10	10	5
139c	Gasket ?144.5/D137.5 x 0.5	-	-	-	-	-	-
64c	Clamp	-	1	1	1	1	1
66	Lock washer (Nord-lock)	-	1	1	1	1	1
67	Nut	-	1	1	1	1	1

Pos.	Pump type		CM10/15/25			
	Kit No		96932393	96932394	98821932	98821933
	Description	Material	AVBE/V	AQQE/V	AUQE/V	AQBE/V
102	O-ring	EPDM	1	1	1	1
		FKM	1	1	1	-
103	Stationary seal ring	SIC	-	1	1	-
		Carbon	1	-	-	1
104	Rotating seal ring	SIC	-	1	-	1
		Al2O3	1	-	1	-
105	O-ring	EPDM	1	1	1	1
		FKM	1	1	1	-
111	Seal ring retainer	-	1	1	1	1
108	Spring	-	1	1	1	1
111a	Stop ring	-	1	1	1	1
112	Seal driver	-	1	1	1	1
139b	Gasket	-	6	6	10	5
139c	Gasket ?144.5/D137.5 x 0.5	-	1	1	-	-
64c	Clamp	-	1	1	1	1
66	Lock washer (Nord-lock)	-	1	1	1	1
67	Nut	-	1	1	1	1

CM 1, 3, 5

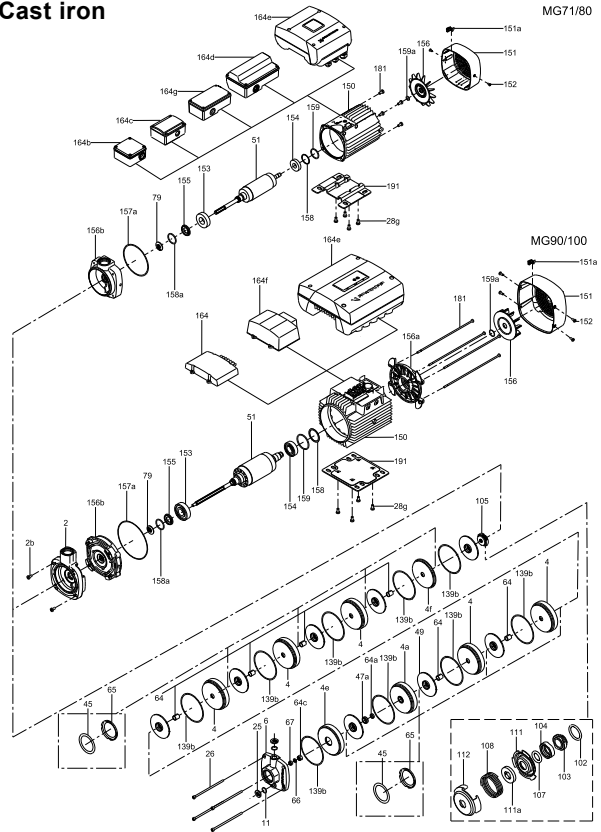
Stainless steel



MG71/80

MG90/100

Cast iron

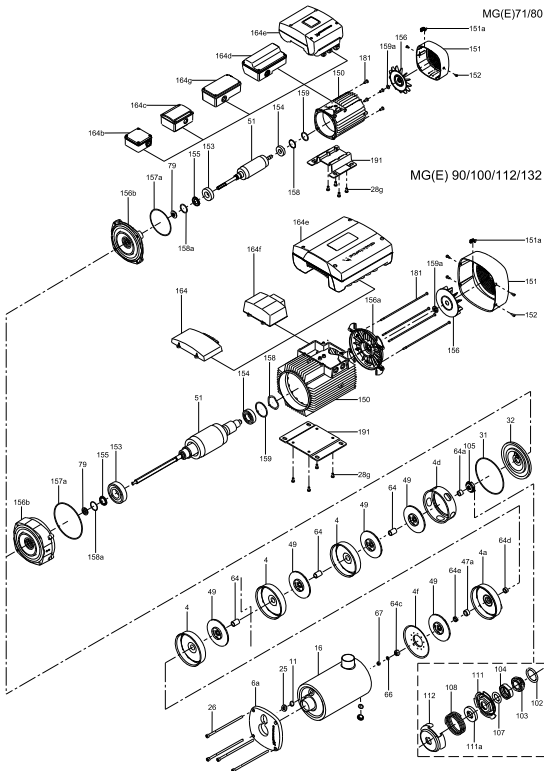


MG71/80

MG90/100

CM 10, 15, 25

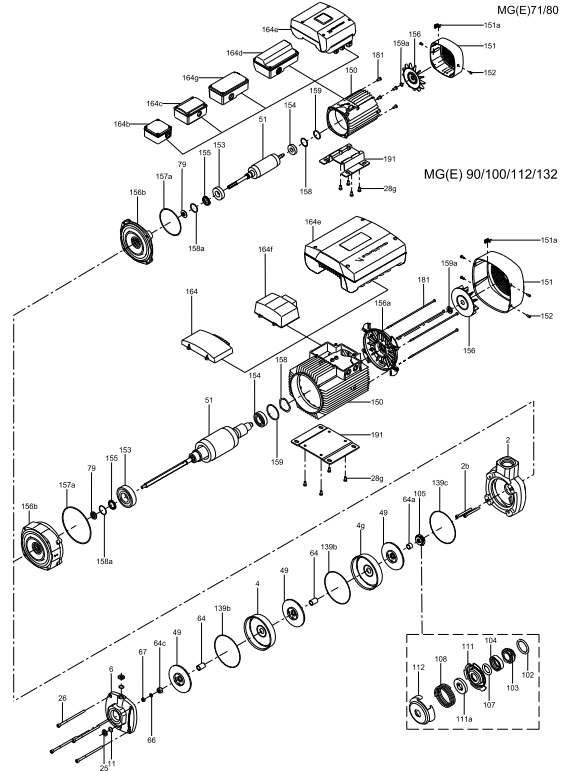
Stainless steel



MG(E)71/80

MG(E) 90/100/112/132

Cast iron



MG(E)71/80

MG(E) 90/100/112/132

TM04 3588 4608 - TM04 3591 4608

TM04 3828 5108 - TM04 3829 5108

CM, CME, CM, CME and Boosters

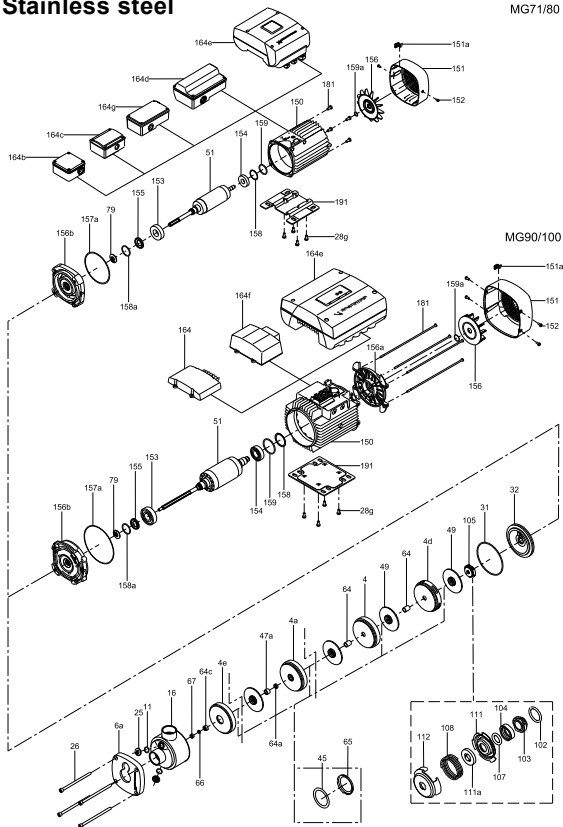
## Seal kit (I and G version)

Pos.	Pump type		CM1/3/5					
	Kit No		96932438	96932440	96932441	98810275	98806252	98463764
	Description	Material	AVBE/V	AQQE/V	AQKQ	AQBE/V	AUQE/V	AQKQ/E/V
102	O-ring	EPDM	1	1	-	1	1	-
		FKM	1	1	-	1	1	-
		FFKM	-	-	1	-	-	1
103	Stationary seal ring	SIC	-	1	1	-	1	1
		Carbon	1	-	-	1	-	-
104	Rotating seal ring	SIC	-	1	1	1	-	1
		Al2O3	1	-	-	-	1	-
105	O-ring	EPDM	1	1	-	1	1	-
		FKM	1	1	-	1	1	-
		FFKM	-	-	1	-	-	1
111	Seal ring retainer	-	1	1	1	1	1	1
108	Spring	-	1	1	1	1	1	1
111a	Stop ring	-	1	1	1	1	1	1
112	Seal driver	-	1	1	1	1	1	1
31	O-ring	EPDM	1	1	-	1	1	1
		FKM	1	1	-	1	1	1
		FFKM	-	-	1	-	-	-
64c	Clamp	-	1	1	1	1	1	1
66	Lock washer (Nord-lock)	-	1	1	1	1	1	1
67	Nut	-	1	1	1	1	1	1

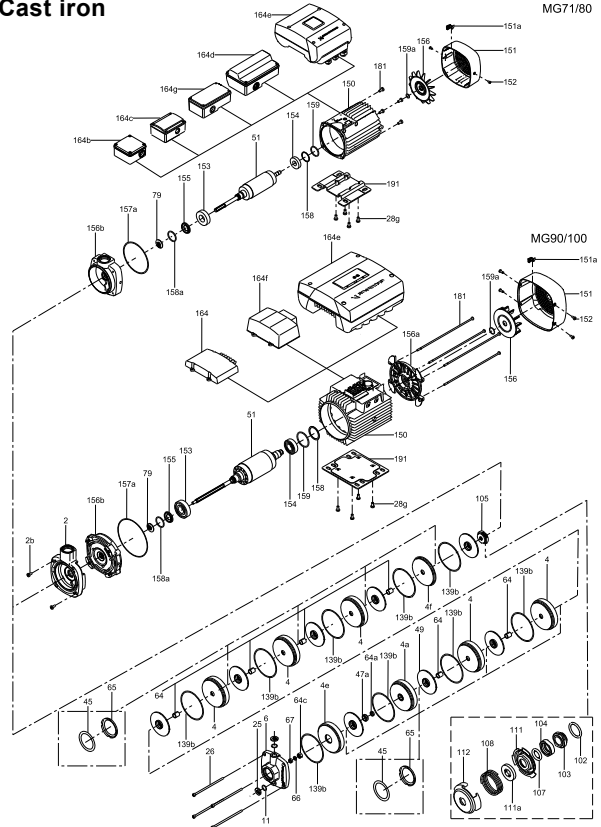
Pos.	Pump type		CM10/15/25					
	Kit No		96932443	96932445	96932446	98821912	98821920	98463766
	Description	Material	AVBE/V	AQQE/V	AQKQ	AQBE/V	AUQE/V	AQKQ/E/V
102	O-ring	EPDM	1	1	-	1	1	-
		FKM	1	1	-	1	1	-
		FFKM	-	-	1	-	-	1
103	Stationary seal ring	SIC	-	1	1	-	1	1
		Carbon	1	-	-	1	-	-
104	Rotating seal ring	SIC	-	1	1	1	-	1
		Al2O3	1	-	-	-	1	-
105	O-ring	EPDM	1	1	-	1	1	-
		FKM	1	1	-	1	1	-
		FFKM	-	-	1	-	-	1
111	Seal ring retainer	-	1	1	1	1	1	1
108	Spring	-	1	1	1	1	1	1
111a	Stop ring	-	1	1	1	1	1	1
112	Seal driver	-	1	1	1	1	1	1
31	O-ring	EPDM	1	1	-	1	1	1
		FKM	1	1	-	1	1	1
		FFKM	-	-	1	-	-	-
64c	Clamp	-	1	1	1	1	1	1
66	Lock washer (Nord-lock)	-	1	1	1	1	1	1
67	Nut	-	1	1	1	1	1	1

CM 1, 3, 5

Stainless steel

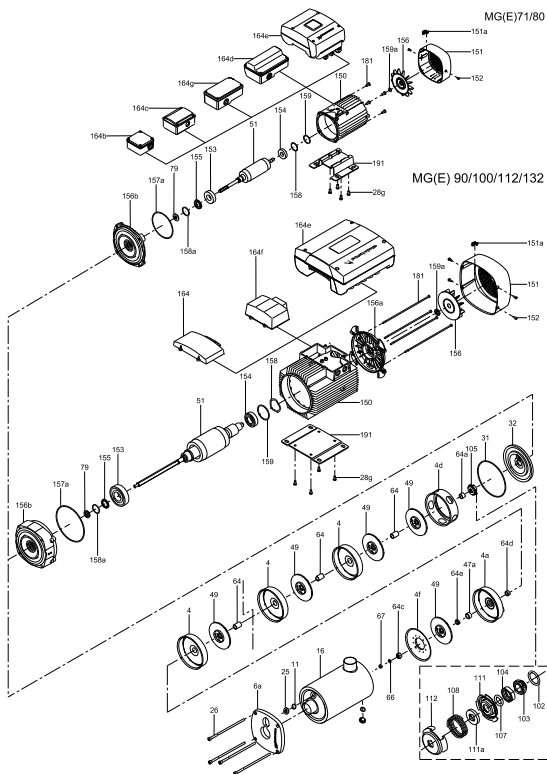


Cast iron

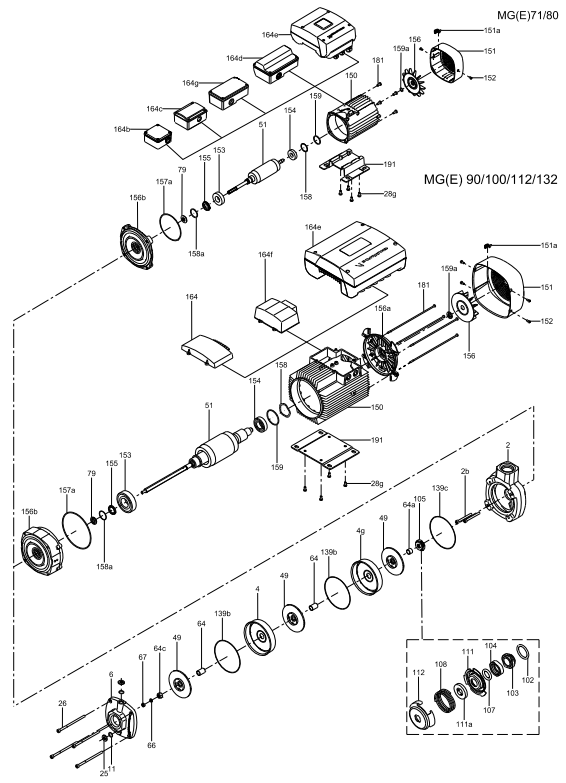


CM 10, 15, 25

Stainless steel



Cast iron



TM04 3588 4608 - TM04 3591 4608

TM04 3828 5108 - TM04 3829 5108

## CM Self priming

### 50/60 Hz

#### Spares

Pos.	Description	Kit No
4d	Spare, Air separator chamber	98520101
4f	Spare, Empty chamber 27mm	98520102
4f	Spare, Empty chamber 18mm	98520103
64a	Spare, Spacing pipe 13mm	98520104

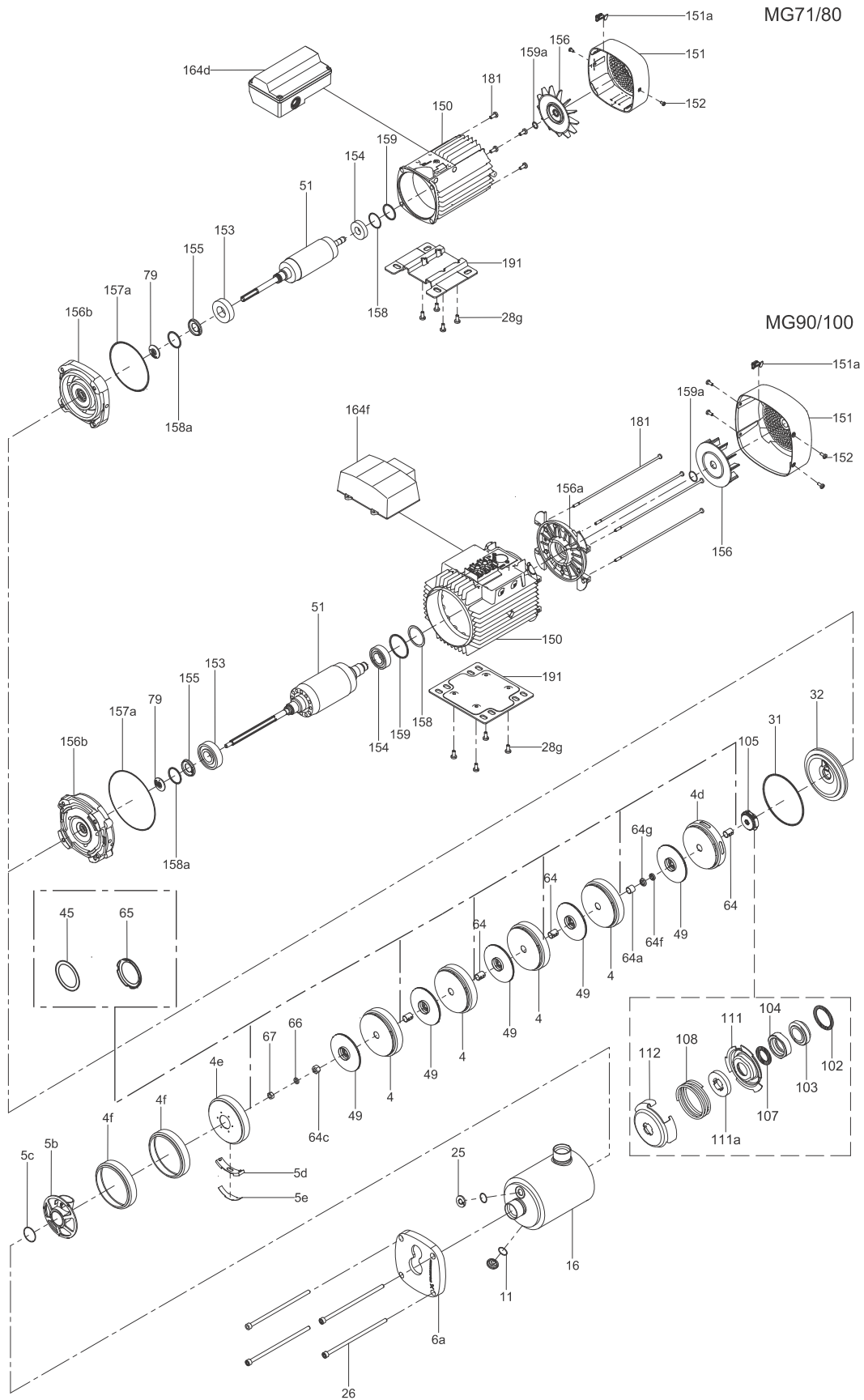
#### Spare sleeves

Pos.	Description	Kit No	Model / Version / Qty
	Sleeve CM1/3-7 Rp thread	98470942	CM-SP 1/3/5-3/4
16	Sleeve CM1/3-9 Rp thread	98470943	CM-SP 1/3/5-5/6
	Sleeve CM1/3-11 Rp thread	98470949	CM-SP 5-7

#### Valve kit

Pos.	Kit No	98519018	98519013
	Description	4 meters	8 meters
4e			
5d	Chamber cpl. w. valve	1	1
5e			
64f			
64g	Container with rubber seal	1	1
5b	Water trap	1	1
5c	O-ring EPDM 37.0 x 2.62	1	1

CM Self priming



MG71/80

MG90/100

TM05 8836 4913



## CME Booster

### 50/60 Hz

#### Manometer

Pos.	Kit No	98906914	98906915
	Manometer thread	Rp	NPT
462	Manometer 0-16 bar	1	-
462	Manometer 0-200 PSI	-	1

#### Non return valve (RP and NPT)

Pos.	Kit No	98906916	98906917
	Valve size	1"	1 1/2"
405a	Gate	1	1
405b	Spring	1	1
405c	O-ring	1	1
405d	Washer	-	1

#### Pressure tank

Pos.	Kit No	98906908	98906909
	Tank thread	Rp	NPT
305	2 liter GT-H tank with Rp thread	1	-
305	2 liter GT-H tank with NPT thread	-	1

#### Sensor kit

Pos.	Kit No	98906904	98906905
	Sensor thread	Rp	NPT
461a	Sensor MBS 1900 0-10 bar	1	1

## German version with inlet pressure switch

#### Inlet pressure switch

Pos.	Kit No	99010690
	Thread	Rp
407	Inlet pressure switch	1

#### Manometer

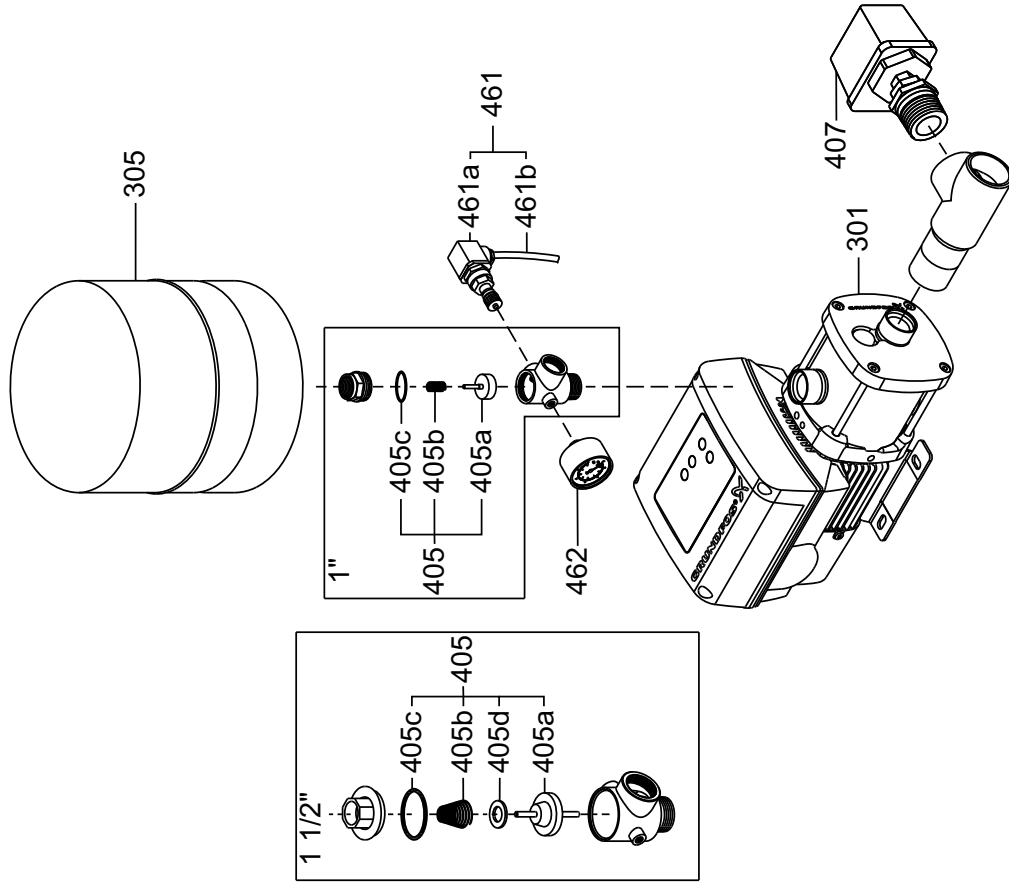
Pos.	Kit No	99010691
	Manometer thread	Rp
462	Manometer	1

#### Sensor kit

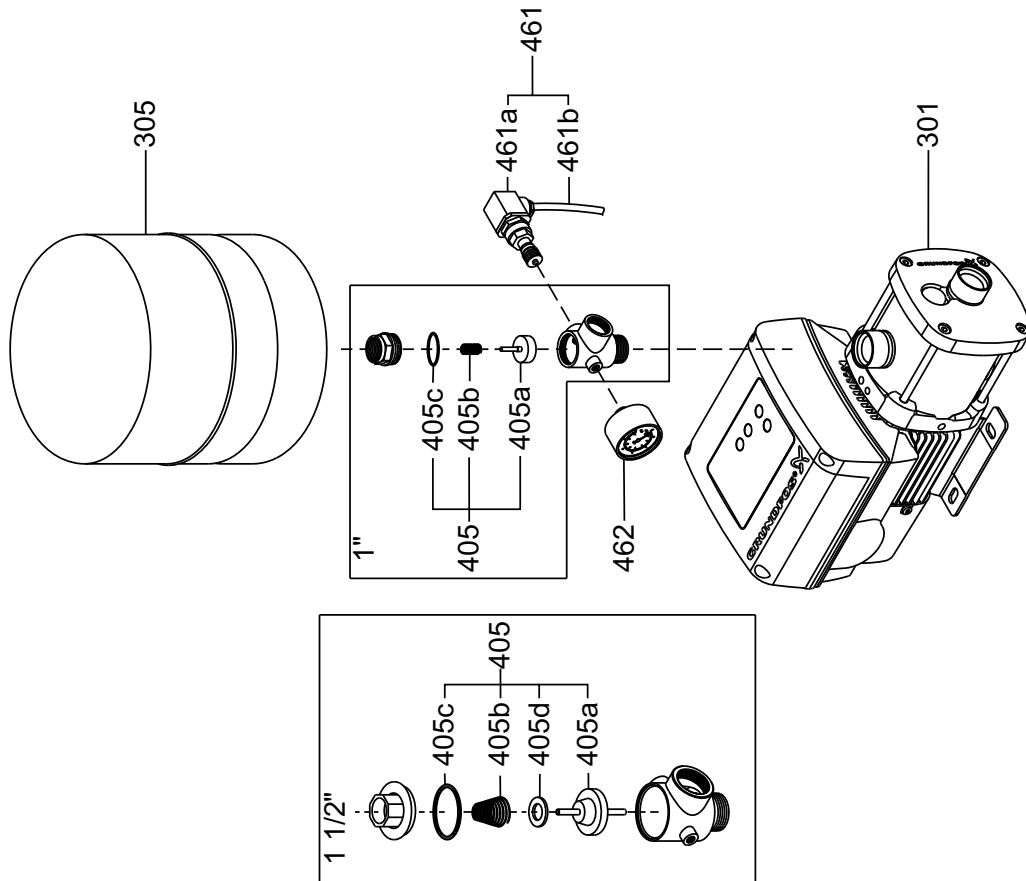
Pos.	Kit No	99010689
	Sensor thread	Rp
461a	Sensor	1

CME Booster

CMBE German version with pressure switch



CMBE



TM06 4097 3115

## CM Booster PT, PS

### 50/60 Hz

#### Hose, kits

Kit No		98906918	98906919
Pos.	Model	CMB PT	CMB PT
Tanks size		24 liter	60 liter
309	Rubber hose with fittings	1	-
309	Rubber hose with fittings	-	1
406	Gasket	1	1

#### Manometer

Kit No		98906913
Pos.	Model	CMB PT / CMB PS
462	Manometer	1

#### Non return valve CMB PS & CMB PT vertical tank

Kit No		98906916	98906917
Pos.	Model	CMB PS/PT	CMB PS
Valve size		1"	1 1/2"
405a	Gate	1	1
405b	Spring	1	1
405c	O-ring	1	1
406	Gasket	1	-
405d	Washer	-	1

#### Pressure switch kit

Kit No		98906906	98906907
Pos.	Model	CMB PS	CMB PT
407a	Pressure switch	1	1

#### Pressure tank

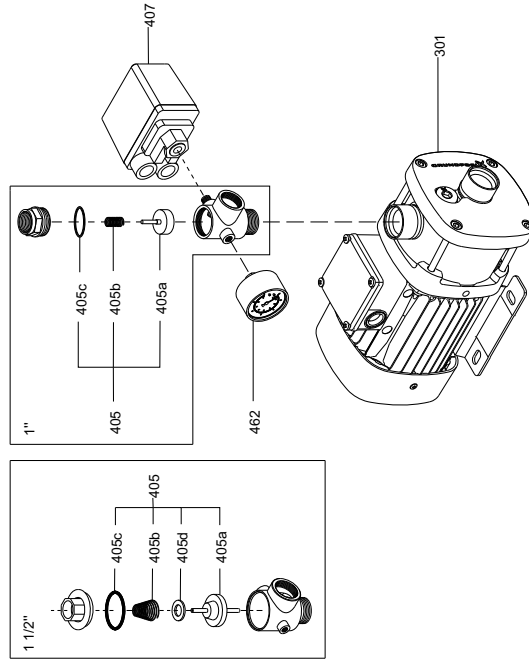
Kit No		98906910	98906911	98906912
Pos.	Model	CMB PT	CMB PT	CMB PT
305	24 liter GT-H tank	1	-	-
305	60 liter GT-H tank	-	1	-
305	18 liter GT-H tank	-	-	1
406	Gasket	2	2	2

## CMB PM1, CMB PM2

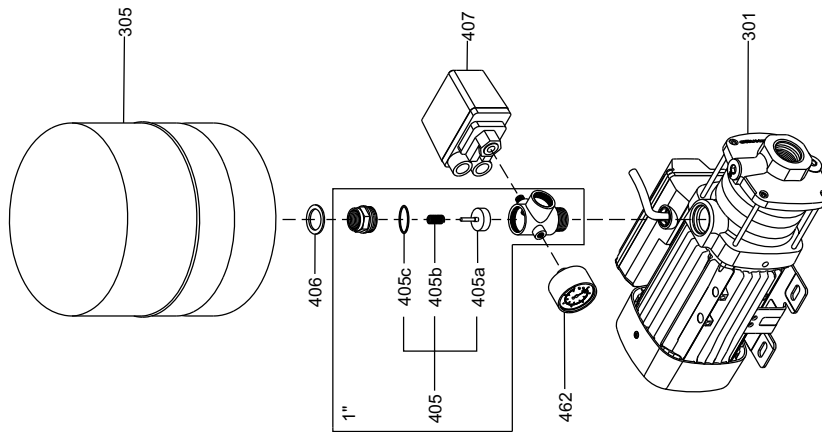
See *Pressure Manager* page 934 for PM parts.

CM Booster

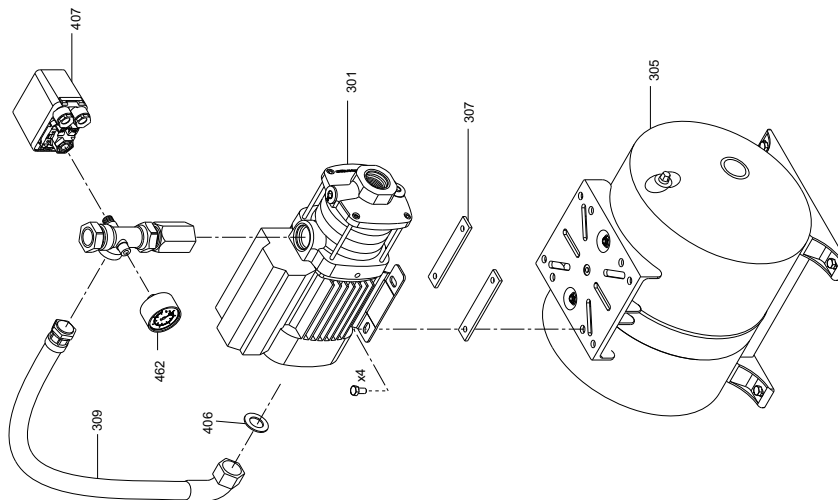
CMB PS



CMB PT (vertical tank)



CMB PT (Horizontal tank)



TM06 4098 3115 - TM06 3604 2815 - TM06 4362 2615