

ifm electronic



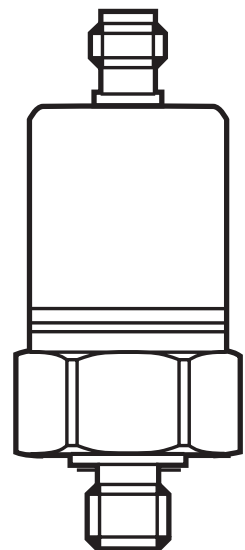
Installation Instructions  
Electronic pressure sensor

**efector500<sup>®</sup>**

**PA35xx**

**UK**

80222190 / 00 08 / 2014



# Contents

1 Safety instructions .....	2
2 Function and features.....	3
2.1 Applications .....	3
3 Installation .....	4
4 Electrical connection.....	4
5 Technical data and scale drawing.....	5

## 1 Safety instructions

- Please read this document prior to set-up of the unit. Ensure that the product is suitable for your application without any restrictions.
- If the operating instructions or the technical data are not adhered to, personal injury and/or damage to property can occur.
- Improper or non-intended use may lead to malfunctions of the unit or to unwanted effects in your application. That is why installation, electrical connection, set-up, operation and maintenance of the unit must only be carried out by qualified personnel authorised by the machine operator.
- In order to guarantee the correct condition of the device for the operating time the device must only be used in media to which the wetted parts are sufficiently resistant (→ Technical data).
- Use in gases at pressures > 25 bar only after contacting the manufacturer ifm.
- The responsibility whether the measurement devices are suitable for the respective application lies with the operator. The manufacturer assumes no liability for consequences of misuse by the operator. Improper installation and use of the devices result in a loss of the warranty claims.

## 2 Function and features

The pressure sensor detects the system pressure and converts it into an analog output signal.

- 4 ... 20 mA

### 2.1 Applications

- Type of pressure: relative pressure

Order no.	Final value of the measuring range (nominal pressure)		Static pressure resistance (max. permissible pressure)		Bursting pressure	
	bar	psi	bar	psi	bar	psi
PA3509	-1...1	-14.5...14.5	10	145	30	435
PA3526	0..2.5	0...36.3	20	290	50	725
PA3524	0...10	0...145	75	1087	150	2175
PA3523	0...25	0...363	150	2175	350	5075
PA3522	0...100	0...1 450	300	4 350	650	9400
PA3521	0...250	0...3 625	400	5 800	850	12300
	mbar	psi	bar	psi	bar	psi
PA3589	0...100	0...1.45	4	58	30	435
PA3528	0...250	0...3.63	10	145	30	435

$$\text{MPa} = \text{bar} \div 10 / \text{kPa} = \text{bar} \times 100$$



Avoid overload pressure exceeding the specified maximum permissible pressure by taking appropriate measures.

The indicated bursting pressure must not be exceeded.

Even if the bursting pressure is exceeded only for a short time, the unit may be destroyed. ATTENTION: Risk of injury!

Use in gases at pressures > 25 bar only after contacting the manufacturer ifm.



Pressure Equipment Directive (PED):

- Units comply with section 3, article (3) of the Directive 97/23/EC and are designed and manufactured for group 2 fluids (stable gases and non-superheated liquids) in accordance with the sound engineering practice.

### 3 Installation



Before mounting and removing the sensor, make sure that no pressure is applied to the system.

- ▶ Insert the unit in a suitable process connection (see type label “Port Size”).
- ▶ Tighten firmly.

Recommended tightening torque: 25...35 Nm

### 4 Electrical connection

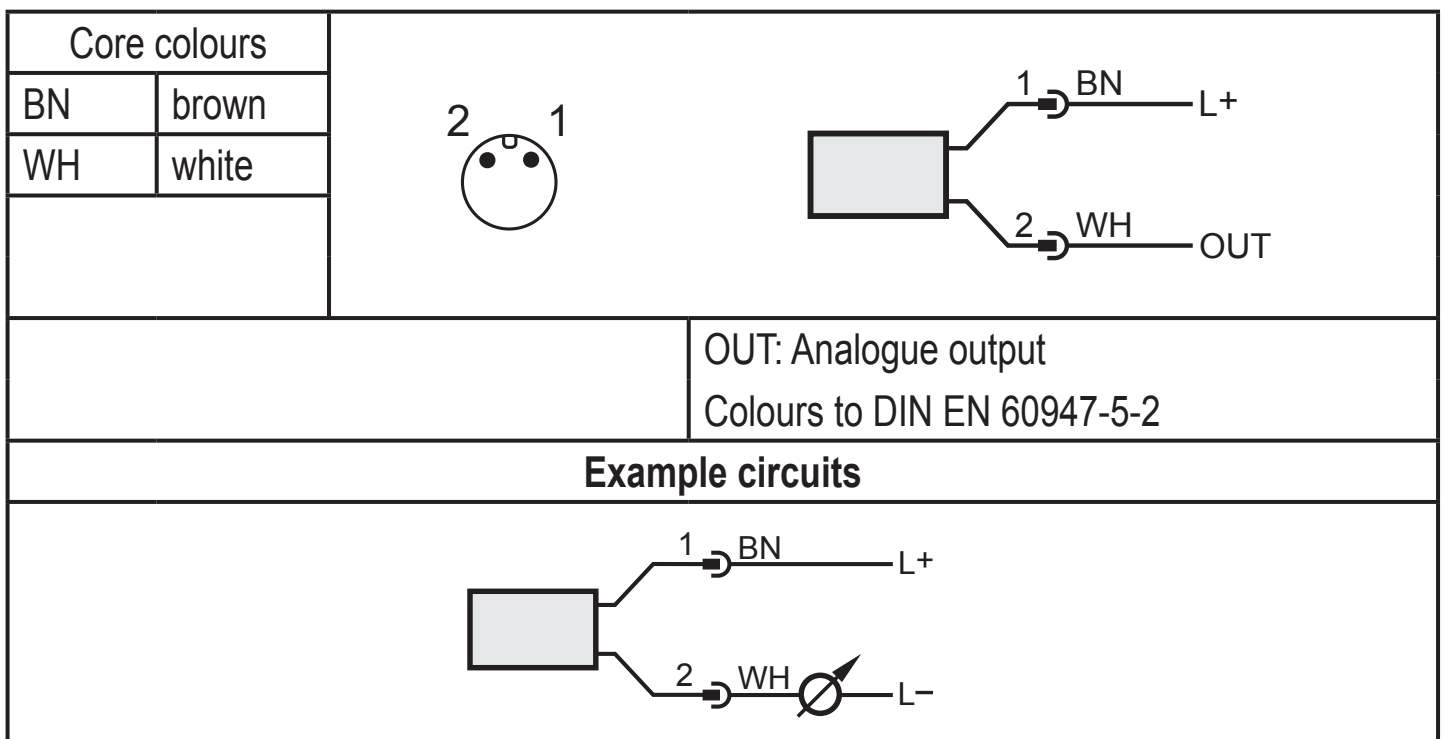


The unit must only be connected by an electrician.

The national and international regulations for the installation of electrical equipment must be observed.

Voltage supply to EN50178, SELV, PELV.

- ▶ Disconnect power.
- ▶ Connect the unit as follows:



## 5 Technical data and scale drawing

Further technical data and scale drawing at [www.ifm.com](http://www.ifm.com) → Data sheet search → New search → Enter the article number.

UK

More information at [www.ifm.com](http://www.ifm.com)