

85. TP, TPE, TPD, TPED

TP Series 100 and 200

50/60 Hz

Shaft seal

model A

Pos.	Pump shaft diameter [mm]	12							
	25	All							
Pump type	32	-50/2 -80/2-90/2						-30 -60/2	
	40	-50/2 -80/2 -90/2						-30	
Pos.	Kit No	96409293	96508806	96508807	96508808	96508809	96488632	96488634	
	Type	BUBE	BQQE	GQQE	BQQV	GQQV	BQQE	BQQV	
72a	O-ring	1	1	1	1	1	1	1	
105a	Shaft seal	1	1	1	1	1	1	1	

Pos.	Pump shaft diameter [mm]	12					16						
	32	-30 -60/2					-40 -60/4 -80 -120 -150 -160 -180 -220 -230 -260 -330						
Pump type	40	-30					-40 -60 -80 -90/4 -120 -160 -180 -190 -230 -240 -270 -330 -390						
	50, 65, 80, 100	All											
Pos.	Kit No	96409264	96432881	96409265			96409266		985844				
	Type	AUUE	RUUE/V	BUBE			AUUE		RUUE/V				
72a	O-ring	1	1	1			1		1				
105a	Shaft seal	1	1	1			1		1				

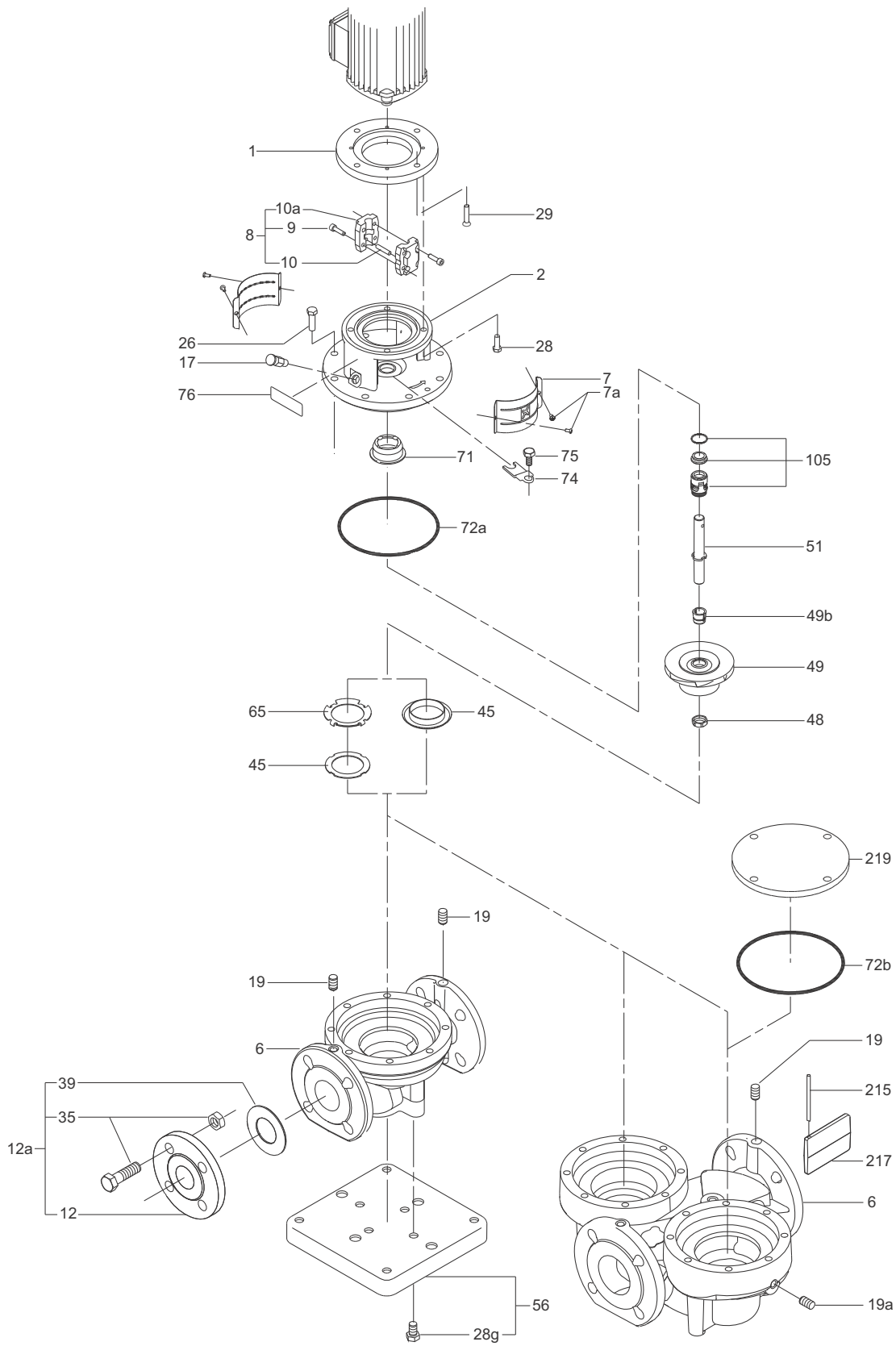
model B

Pos.	Pump shaft diameter [mm]	12									
	25	-90						All			
Pump type	32	-90						-50/2 -80/2-90/2			
	40	-90						-50/2 -80/2 -90/2			
Pos.	Kit No	98386336	98284949	98284950	98284961	98284962	98284936	96508806	96508807	96508808	96508809
	Type	BUBV	BUBE	BQQE	GQQE	BQQV	GQQV	BQQE	GQQE	BQQV	GQQV
72a	O-ring	1	1	1	1	1	1	1	1	1	1
105a	Shaft seal	1	1	1	1	1	1	1	1	1	1

Wear parts, model A

Pump type	25	-50	-90				
	32			-50	-90	-60/2	
	40			-50	-90/2	60/4	
Pos.	Description/kit No	96408790	96408791	96408792	96408793	96414029	96436361
9	Coupling screw	4	4	4	4	4	4
10	Coupling pin	1	1	1	1	1	1
48	Split cone nut	-	-	-	-	-	-
49b	Split cone	-	-	-	-	-	-
51	Shaft	-	-	-	-	-	-
	Shaft with split cone and impeller	1	1	1	1	1	1
71	Distributing cup	-	-	-	-	-	-
	32	-30	-40 (USA)	-80 -120 -160	-40 -60/4 -150 -180 -220 -230 -260 -330		
	40	-30	-40 -60/2 -80/2 -120	-80/4 -90/4 -160 -180 -190 -230 -240 -270 -330 -390			
Pump type	50	-30 -40 -60/2 -80/2		-60/4 -80/4 -120 -160 -180 -240			
	65	-60/2 -80/2		-30 -40 -60/4 -80/4 -180 -240			-120 -160
	80			-40 (USA) -80 (USA) -120 -160 -240 (USA)			-30 -40 -60 -80 -160 (USA)
	100			-160			All except -160
Pos.	Description/kit No	96414027	96414028	96414031		96409269	
9	Coupling screw	4	4	4		4	
10	Coupling pin	1	1	1		1	
48	Split cone nut	1	1	1		1	
49b	Split cone	1	1	1		1	
51	Shaft	1	1	1		1	
71	Distributing cup	1	1	1		1	

TP Series 100 and 200



TP Series 100 and 200 TP, TPE, TPD, TPED

TM00 9281 4715

Wear parts, model B

TP

Pump type	25	-50		-80		-90	
	32			-50	-80	-90	
	40			-50	-80	-90	
Pos.	Description/kit No	98284938	98284939	98284941	98284942	98284940	
9	Coupling screw	4	4	4	4	4	
10	Coupling pin	1	1	1	1	1	
48	Split cone nut	-	-	-	-	1	
49b	Split cone	-	-	-	-	1	
51	Shaft	-	-	-	-	1	
	Shaft with split cone and impeller	1	1	1	1	-	
71	Distributing cup	-	-	-	-	1	

TPE

Pump type	25	-50		-80		-90	
	32			-50	-80	-90	
	40			-50	-80	-90	
Pos.	Description/kit No	98284943	98284944	98284945	98284946	98284940	
9	Coupling screw	4	4	4	4	4	
10	Coupling pin	1	1	1	1	1	
48	Split cone nut	-	-	-	-	1	
49b	Split cone	-	-	-	-	1	
51	Shaft	-	-	-	-	1	
	Shaft with split cone and impeller	1	1	1	1	-	
71	Distributing cup	-	-	-	-	1	

Coupling complete

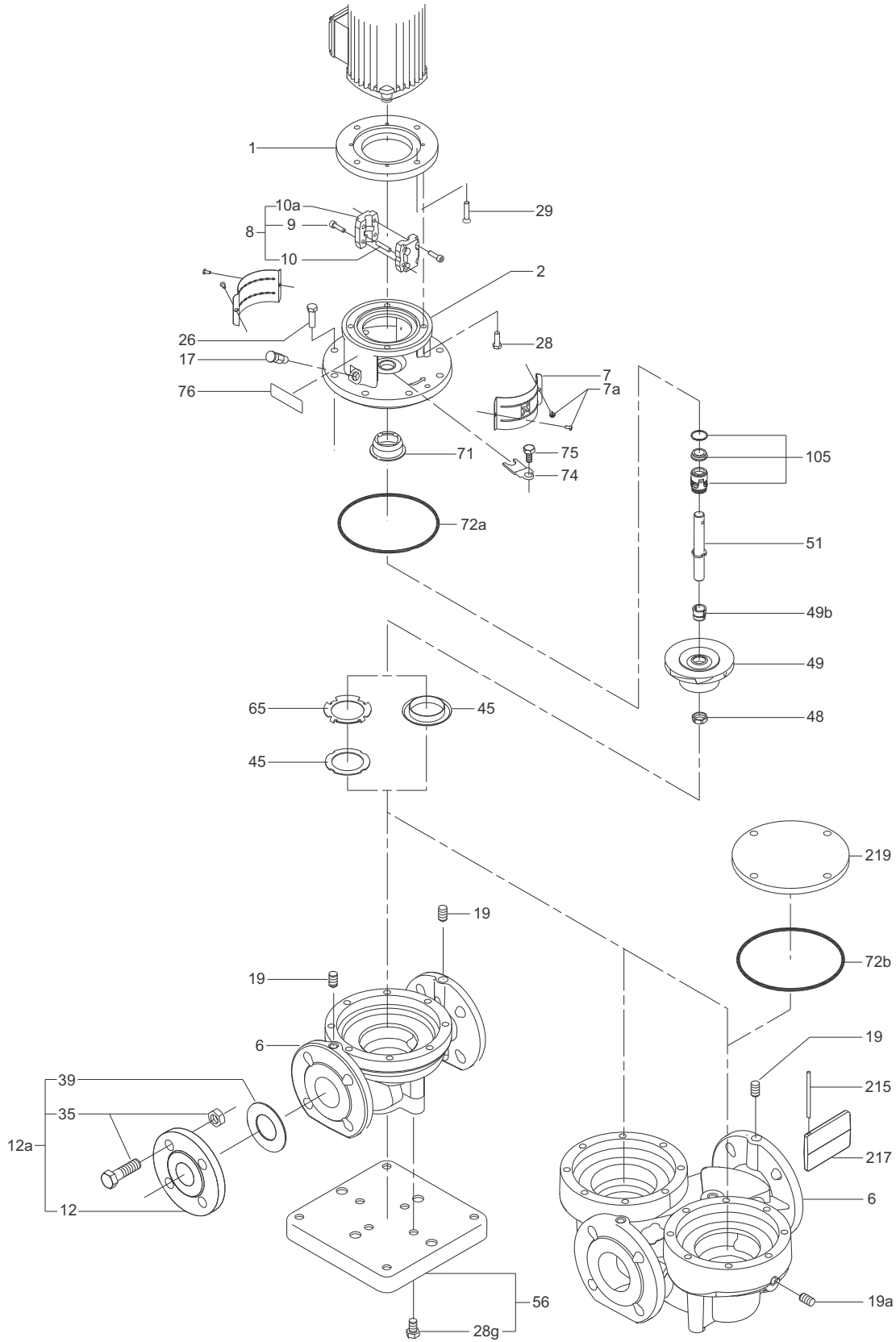
Pos.	Kit No	495081	415060	339114	339119	339124	339128	485133	485134	
	Motor/pump shaft diameter [mm]	11/12	14/12	14/16	19/16	24/16	28/16	15.9/16	28.6/16	
	Description								NEMA	NEMA
8	Coupling half	2	2	2	2	2	2	2	2	
9	Screw	4	4	4	4	4	4	4	4	
10	Pin	1	1	1	1	1	1	1	1	

Non-return valve

Pos.	Pump type	TPD 32	TPD 40	TPD 50	TPD 65	TPD 80	TPD 100
	Description/kit No	96407253	96407254	96407255	96407256	96407257	96407258
215	Guide pin	1	1	1	1	1	1
217	Valve flap	1	1	1	1	1	1

TP Series 100 and 200

TP Series 100 and 200 TP, TPE, TPD, TPED



TM00 9281 4715

TP Series 300

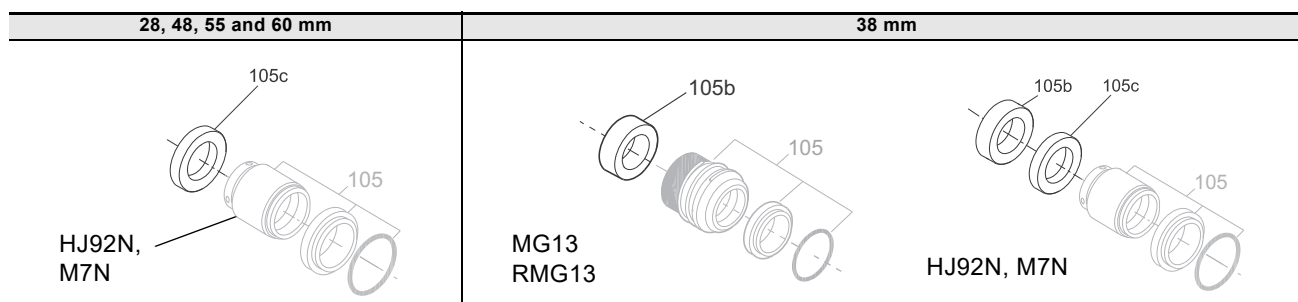
Shaft diameter

TP	Poles	Pump type	Shaft diameter [mm]
32-	2, 4	All	28
40-		All	
50-		All	
65-		All	
80-	2	All	38
	4	70, 90, 110, 150, 170 230, 240, 270, 280, 340, 410, 460, 510	
100-	2	160, 200, 230, 240, 250, 300, 310, 350, 360, 370, 380, 390 480, 530, 630, 700	28
	4	70, 90, 110 130, 170, 200, 240, 250, 290, 330, 340, 370, 390, 410, 470	38
125-	4, 6	All	38
	4	130, 160, 200, 220, 250,	
150-	6	60, 70, 90, 110	48
	4	260, 280, 340, 360, 390, 400, 460, 500	
200-	4	180, 220, 250, 270, 290, 330, 320, 360, 400, 410, 430, 440, 470, 490, 500, 530, 540, 590, 600, 660, 680, 770	55

Shaft seal

Pos.	Type/shaft diameter [mm]	28	38	48	55	60
105a	BAQE	96488302	96537605	96306472	96306475	96658812
	BAQV	96548353	96548357	96658791	96658801	96658815
	BQQE	98434904	98434906	98434909	98434943	98434945
	BQQV	98434905	98434908	98434941	98434944	98434947
	BQQV for PWIS free	98670789	98670790	98670801	98670802	98670803
	BBQE	96551963	96551928	96658794	96658804	96658818
	GQQE	96488303	96537606	96306474	96306477	96658814
	GQQV	96504870	96537608	96658793	96658803	96658817
	DAQF	96548355	96548359	96658796	96658807	96658820
	AQQE	96551965	96551960	96658799	96658810	96658823
	AQQV	96551967	96551962	96658800	96658811	96658824
	AQAE	96551964	96551929	96658797	96658808	96658821
	AQAV	96551966	96551961	96658798	96658809	96658822
	DQQE	-	97769897	97685509	97685596	97685598
	DQQV	-	97769901	97685511	97685600	97685602
	DAUE	-	98903218	98903219	98903220	98903221

Spacer ring for shaft seal (pos. 105b and 105c)



Pos.	Shaft seal diameter [mm]	Description	Length [mm]	Kit No
105b	38	Spacer ring	15.5	96591277
	28		7.5	96938597
	38		10	96938599
105c	48	Spacer ring	15	96938602
	55		22.5	96938604
	60		17.5	96938606
			38	10
105b and 105c	38		15.5	
			10	

Non-return valve, TPD, TPED

	Pump type	32, 40, 50	65	80	100, 125	125, 150
Pos.	Cover No ★	96476895	96476895	96506492/93	96506494	96506495
	Description/kit No	96488633	96488631	96537612	96537613	96537614
211	Screw	6	6	6	6	6
212	Gasket	1	1	2	1	1
215	Shaft pin	1	1	1	1	1
216	Spring	1	1	1	1	1
217	Valve flap	2	2	2	2	2
	Pipe plug	1	1	1	1	1

★ Indicated on back of cover

Nut for impeller

Pos.	Shaft diameter [mm]	28	38	48	55
	Description/kit No	96939128	96939134	96939132	96939134
67	Nut	1	1	1	1
11	Key	1	1	1	1
66a	Spring lock washer M24	1	1	1	1
66	Washer	1	1	1	1

Shaft

Containing shaft (pos. 51), nut (pos. 67), key (pos. 11), washer (pos. 66), spring washer (pos. 66a) and fixing screws (pos. 9).

Pump with 28 mm shaft								
IEC frame size	71	80	90	100 - 112	132	160	180	200
Kit No	96039349	96039350	96039351	96039352	96039353	96039354	96039355	96039356

Pump with 38 mm shaft							
IEC frame size	100 - 112	132	160	180	200	225 - 250	225 (2-pole)
Kit No	96039357	96039358	96039359	96039360	96039361	96537609	96537610

Pump with 48 mm shaft			
IEC frame size	180	200	225
Kit No	96306478	96306478	96306479

Pump with 55 mm shaft						
IEC frame size	180	200	225	250	280	315
Kit No	96306488	96306488	96306480	96306480	96306480	96306480

Wear ring

Pos.	Description/Pump type	TP 150	TP 200
45	Wear ring (in pump housing)	96810109	96810112
45	Wear ring (in cover)	96797628	96810112

Coupling guard

Pump type	P2 [kW]	Kit No	
TP 150-	260/4	18.5	
	280/4	22	
	340/4	30	
	360/4	30	
	390/4	37	
	400/4	37	
	TP 200-	180/4	22
		220/4	30
		250/4	37
		270/4	45
290/4		45	
320/4		55	
330/4		37	
330/4		55	
360/4		45	
400/4		55	
TP 200-	400/4	75	
	410/4	75	
	430/4	55	
	440/4	90	
	470/4	75	
	500/4	110	
	530/4	90	
	540/4	90	
	590/4	110	
	600/4	110	
	660/4	132	
	680/4	132	
	770/4	160	

* For pumps with TECO motor (IEC280).

Content

Pos.	Description
7	Coupling guard
7a	Screw

Motor bush

Pump type	P2 [kW]	Kit No	
TP 150-	260/4	18.5	
	280/4	22	
	340/4	30	
	360/4	30	
	390/4	37	
	400/4	37	
	TP 200-	180/4	22
		220/4	30
		250/4	37
		270/4	45
290/4		45	
320/4		55	
330/4		37	
330/4		55	
360/4		45	
400/4		55	
TP 200-	400/4	75	
	410/4	75	
	430/4	55	
	440/4	90	
	470/4	75	
	500/4	110	
	530/4	90	
	540/4	90	
	590/4	110	
	600/4	110	
	660/4	132	
	680/4	132	
	770/4	160	

* For pumps with TECO-motor (IEC315).

Content

Pos.	Description
8a	Motor bush
23	Hexagon socket head cap screw
9	Hexagon socket set screw

Intermediate ring

Only for pumps with TECO motor (IEC280).

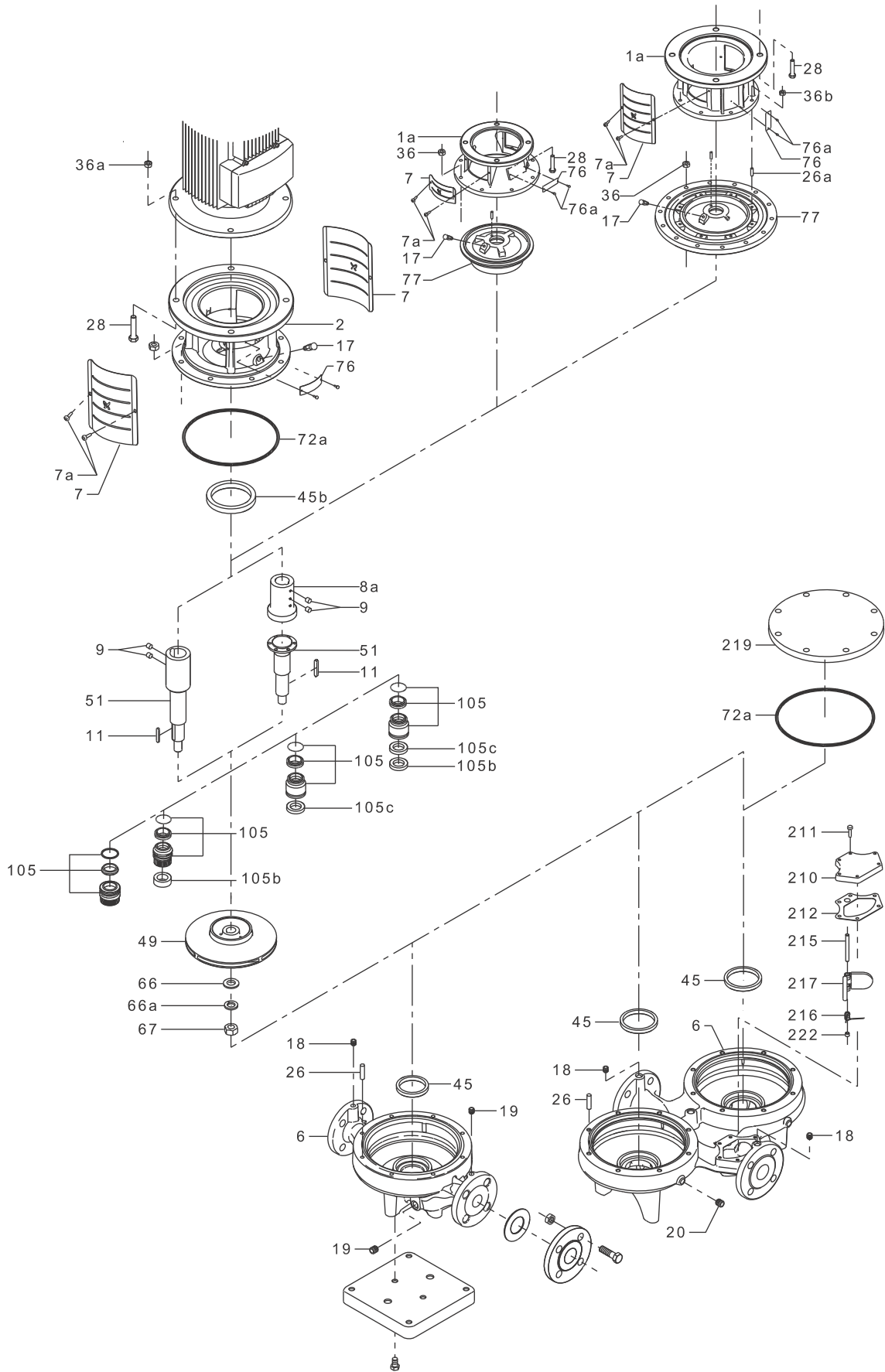
Pump type	P2 [kW]	Kit No
TP 200-	440/4	90
	500	110
	530/4	90
	540/4	90
	590/4	110
	600/4	110

Content

Pos.	Description
1	Intermediate ring
28	Hexagon head screw M16
36a	Hexagon nut M16

TP Series 300

TP Series 300 TP, TPE, TPD, TPED



TM02 4983 3415

O-ring

50 Hz

2-pole		4-pole		6-pole		O-ring, pos. 72a		
Pump type	P2 [kW]	Pump type	P2 [kW]	Pump type	P2 [kW]	V (FKM)	E (EPDM)	F (FXM)
-	-	TP 32-80/4	0.25	-	-			
-	-	TP 32-100/4	0.37	-	-			
TP 32-200/2	1.1	-	-	-	-	97757697	97757659	97790022
TP 32-250/2	1.5	-	-	-	-			
TP 32-320/2	2.2	-	-	-	-			
TP 32-380/2	3	-	-	-	-			
TP 32-460/2	4	TP 32-120/4	0.55	-	-	97757698	97757671	97790080
TP 32-580/2	5.5	-	-	-	-			
TP 40-240/2	2.2	TP 40-100/4	0.55	-	-			
TP 40-300/2	3	-	-	-	-	97757697	97757659	97790022
TP 40-360/2	4	-	-	-	-			
TP 40-470/2	5.5	TP 40-130/4	0.75	-	-			
TP 40-580/2	7.5	TP 40-160/4	1.1	-	-			
TP 40-430/2	5.5	TP 40-110/4	0.75	-	-	97757698	97757671	97790080
TP 40-530/2	7.5	TP 40-140/4	1.1	-	-			
TP 40-630/2	11	-	-	-	-			
TP 50-160/2	1.1	-	-	-	-			
TP 50-190/2	1.5	-	-	-	-			
TP 50-240/2	2.2	-	-	-	-	97757697	97757659	97790022
TP 50-290/2	3	-	-	-	-			
TP 50-360/2	4	TP 50-90/4	0.55	-	-	97757697	97757659	97790022
TP 50-430/2	5.5	-	-	-	-			
TP 50-420/2	7.5	TP 50-80/4	0.75	-	-			
TP 50-540/2	11	TP 50-120/4	1.1	-	-			
TP 50-630/2	15	TP 50-140/4	1.5	-	-			
TP 50-440/2	7.5	TP 50-110/4	0.75	-	-			
TP 50-570/2	11	TP 50-130/4	1.1	-	-	97757699	97757672	97790081
TP 50-710/2	15	TP 50-160/4	1.5	-	-			
TP 50-830/2	18.5	TP 50-190/4	2.2	-	-			
TP 50-900/2	22	TP 50-230/4	3	-	-			
TP 65-170/2	2.2	-	-	-	-			
TP 65-210/2	3	-	-	-	-			
TP 65-250/2	4	-	-	-	-			
TP 65-190/2	2.2	TP 65-90/4	0.75	-	-	97757697	97757659	97790022
TP 65-230/2	3	-	-	-	-			
TP 65-260/2	4	-	-	-	-			
TP 65-340/2	5.5	-	-	-	-			
TP 65-410/2	7.5	-	-	-	-			
TP 65-460/2	11	TP 65-110/4	1.1	-	-			
TP 65-550/2	15	TP 65-130/4	1.5	-	-			
TP 65-660/2	18.5	TP 65-150/4	2.2	-	-	97757699	97757672	97790081
TP 65-720/2	22	TP 65-170/4	3	-	-			
TP 65-930/2	30	TP 65-240/4	4	-	-			
TP 80-140/2	2.2	-	-	-	-			
TP 80-180/2	3	-	-	-	-			
TP 80-210/2	4	-	-	-	-	97757697	97757659	97790022
TP 80-240/2	5.5	-	-	-	-			
TP 80-250/2	7.5	TP 80-70/4	1.1	-	-			
TP 80-330/2	11	TP 80-90/4	1.5	-	-	97757697	97757659	97790022
TP 80-400/2	15	TP 80-110/4	2.2	-	-			
TP 80-520/2	18.5	TP 80-150/4	3	-	-			
TP 80-570/2	22	TP 80-170/4	4	-	-	97757698	97757671	97790080
TP 80-700/2	30	-	-	-	-			
-	-	TP 80-240/4	5.5	-	-			
-	-	TP 80-270/4	7.5	-	-	97757698	97757671	97790080
-	-	TP 80-340/4	11	-	-			
TP 100-160/2	4	-	-	-	-			
TP 100-200/2	5.5	-	-	-	-	97757697	97757659	97790022
TP 100-240/2	7.5	-	-	-	-			
TP 100-250/2	11	TP 100-70/4	1.5	-	-			
TP 100-310/2	15	TP 100-90/4	2.2	-	-			
TP 100-360/2	18.5	TP 100-110/4	3	-	-	97757697	97757659	97790022
TP 100-390/2	22	-	-	-	-			
TP 100-480/2	30	TP 100-130/4	4	-	-			
-	-	TP 100-170/4	5.5	-	-	97757698	97757671	97790080

2-pole		4-pole		6-pole		O-ring, pos. 72a		
Pump type	P2 [kW]	Pump type	P2 [kW]	Pump type	P2 [kW]	V (FKM)	E (EPDM)	F (FKM)
-	-	TP 100-200/4	7.5	-	-			
-	-	TP 100-250/4	11	-	-			
-	-	TP 100-330/4	15	-	-	97757705	97757675	96887764
-	-	TP 100-370/4	18.5	-	-			
-	-	TP 100-410/4	22	-	-			
-	-	TP 125-60/4	2.2	-	-			
-	-	TP 125-80/4	3	-	-	97757697	97757659	97790022
-	-	TP 125-95/4	4	-	-			
-	-	TP 125-70/4	2.2	-	-			
-	-	TP 125-90/4	3	-	-	97757697	97757659	97790022
-	-	TP 125-100/4	4	-	-			
-	-	TP 125-110/4	4	TP 125-60/6	1.5			
-	-	TP 125-130/4	5.5	TP 125-70/6	2.2	97757698	97757671	97790080
-	-	TP 125-160/4	7.5	-	-			
-	-	TP 125-190/4	11	TP 125-80/6	3			
-	-	TP 125-230/4	15	TP 125-100/6	4			
-	-	TP 125-210/4	11	TP 125-90/6	3			
-	-	TP 125-250/4	15	TP 125-110/6	4	97757705	97757675	96887764
-	-	TP 125-300/4	18.5	TP 125-130/6	5.5			
-	-	TP 125-340/4	22	TP 125-160/6	7.5			
-	-	TP 125-400/4	30	-	-			
-	-	TP 125-320/4	18.5	TP 125-140/6	5.5			
-	-	TP 125-360/4	22	TP 125-170/6	7.5	97757705	97757675	96887764
-	-	TP 125-420/4	30	-	-			
-	-	TP 150-70/4	5.5	-	-			
-	-	TP 150-110/4	7.5	-	-	97757698	97757671	97790080
-	-	TP 150-155/4	11	-	-			
-	-	TP 150-170/4	15	-	-			
-	-	TP 150-130/4	7.5	TP 150-60/6	2.2			
-	-	TP 150-160/4	11	TP 150-70/6	3			
-	-	TP 150-200/4	15	TP 150-90/6	4	97757703	97757673	96887763
-	-	TP 150-220/4	18.5	TP 150-110/6	5.5			
-	-	TP 150-250/4	22	-	-			
-	-	TP 150-260/4	18.5	-	-			
-	-	TP 150-280/4	22	-	-	97757705	97757675	96887764
-	-	TP 150-340/4	30	-	-			
-	-	TP 150-390/4	37	-	-			
-	-	TP 200-50/4	4	-	-			
-	-	TP 200-70/4	5.5	-	-			
-	-	TP 200-90/4	7.5	-	-	97757698	97757671	97790080
-	-	TP 200-130/4	11	-	-			
-	-	TP 200-150/4	15	-	-			
-	-	TP 200-160/4	15	-	-			
-	-	TP 200-190/4	18.5	-	-			
-	-	TP 200-200/4	22	-	-	97757703	97757673	96887763
-	-	TP 200-240/4	30	-	-			
-	-	TP 200-290/4	37	-	-			
-	-	TP 200-180/4	22	-	-			
-	-	TP 200-220/4	30	-	-			
-	-	TP 200-250/4	37	-	-	97757705	97757675	96887764
-	-	TP 200-270/4	45	-	-			
-	-	TP 200-320/4	55	-	-			
-	-	TP 200-410/4	75	-	-			
-	-	TP 200-330/4	37	-	-			
-	-	TP 200-360/4	45	-	-			
-	-	TP 200-400/4	55	-	-			
-	-	TP 200-470/4	75	-	-	97757705	97757676	96887764
-	-	TP 200-530/4	90	-	-			
-	-	TP 200-590/4	110	-	-			
-	-	TP 200-660/4	132	-	-			

60 Hz

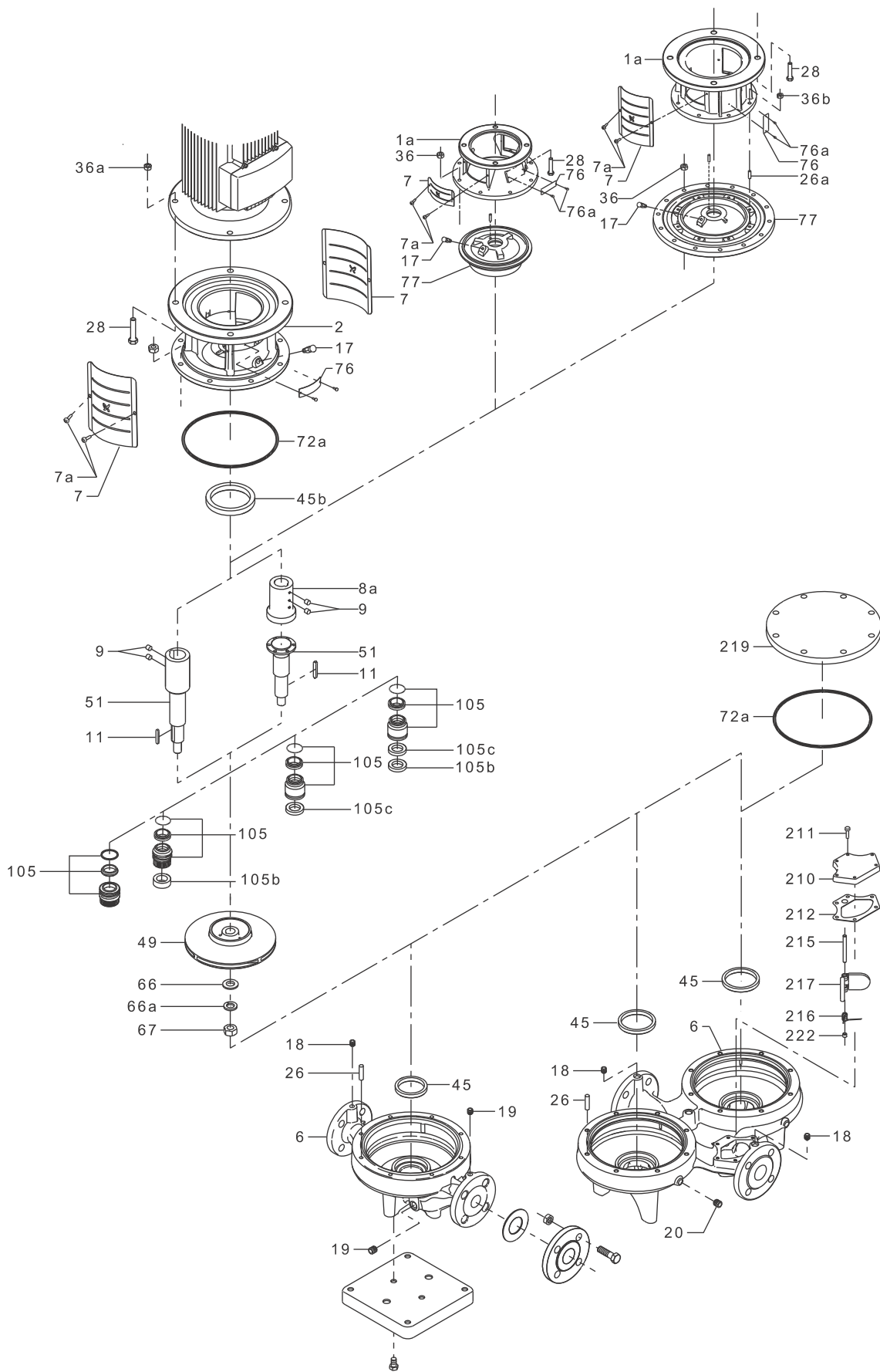
2-pole		4-pole		O-ring, pos. 72a		
Pump type	P2 [kW]	Pump type	P2 [kW]	V (FKM)	E (EPDM)	F (FXM)
-	-	TP 32-120/4	0.55			
-	-	TP 32-140/4	0.75			
-	-	TP 32-190/4	1.1			
TP 32-300/2	2.2	-	-			
TP 32-360/2	3	-	-	97757698	97757671	97790080
TP 32-450/2	4	-	-			
TP 32-550/2	5.5	-	-			
TP 32-680/2	7.5	-	-			
TP 32-820/2	11	-	-			
TP 40-370/2	4	TP 40-120/4	0.75			
TP 40-450/2	5.5	TP 40-160/4	1.1			
TP 40-550/2	7.5	TP 40-190/4	1.5			
TP 40-740/2	11	TP 40-220/4	2.2			
TP 40-850/2	15	-	-			
TP 40-930/2	18.5	-	-			
TP 40-400/2	4	TP 40-110/4	0.75	97757698	97757671	97790080
TP 40-460/2	5.5	TP 40-150/4	1.1			
TP 40-530/2	7.5	TP 40-180/4	1.5			
TP 40-690/2	11	TP 40-230/4	2.2			
TP 40-820/2	15	-	-			
TP 40-920/2	18.5	-	-			
TP 50-250/2	2.2	-	-			
TP 50-300/2	3	-	-	97757697	97757659	97790022
TP 50-350/2	4	-	-			
TP 50-410/2	5.5	-	-	97757697	97757659	97790022
TP 50-440/2	7.5	TP 50-110/4	0.75			
TP 50-540/2	11	TP 50-120/4	1.1			
TP 50-720/2	15	TP 50-140/4	1.5			
TP 50-430/2	7.5	TP 50-100/4	0.75			
TP 50-530/2	11	TP 50-115/4	1.1			
TP 50-640/2	15	TP 50-130/4	1.5	97757699	97757672	97790081
-	-	TP 50-180/4	2.2			
TP 50-790/2	18.5	TP 50-190/4	2.2			
TP 50-880/2	22	TP 50-240/4	3			
TP 50-1050/2	30	TP 50-270/4	4			
-	-	TP 50-340/4	5.5			
TP 65-220/2	3	-	-			
TP 65-260/2	4	-	-			
TP 65-200/2	3	-	-			
TP 65-250/2	4	-	-	97757697	97757659	97790022
TP 65-340/2	5.5	-	-			
TP 65-390/2	7.5	-	-			
TP 65-480/2	11	TP 65-130/4	1.5			
TP 65-540/2	15	TP 65-150/4	2.2			
TP 65-630/2	18.5	TP 65-190/4	3	97757699	97757672	97790081
TP 65-740/2	22	TP 65-230/4	4			
TP 65-910/2	30	TP 65-310/4	5.5			
TP 65-1050/2	37	TP 65-330/4	7.5			
TP 80-200/2	4	-	-			
TP 80-240/2	5.5	-	-	97757697	97757659	97790022
TP 80-290/2	7.5	-	-			
TP 80-330/2	11	TP 80-110/4	2.2	97757697	97757659	97790022
TP 80-400/2	15	-	-			
TP 80-480/2	18.5	TP 80-150/4	3			
TP 80-530/2	22	TP 80-170/4	4			
TP 80-640/2	30	-	-			
TP 80-750/2	37	-	-			
-	-	TP 80-230/4	5.5	97757698	97757671	97790080
-	-	TP 80-280/4	7.5			
-	-	TP 80-340/4	11			
-	-	TP 80-410/4	15			
-	-	TP 80-460/4	18.5			

2-pole		4-pole		O-ring, pos. 72a		
Pump type	P2 [kW]	Pump type	P2 [kW]	V (FKM)	E (EPDM)	F (FXM)
-	-	TP 80-510/4	22			
TP 100-230/2	7.5	-	-			
TP 100-300/2	11	-	-			
TP 100-370/2	15	-	-	97757698	97757671	97790080
TP 100-350/2	18.5	TP 100-100/4	3			
TP 100-380/2	22	-	-			
TP 100-530/2	30	TP 100-130/4	4			
TP 100-630/2	37	TP 100-170/4	5.5	97757697	97757659	97790022
TP 100-700/2	45	-	-	97757697	97757659	97790022
-	-	TP 100-200/4	7.5			
-	-	TP 100-240/4	11			
-	-	TP 100-350/4	22			
-	-	TP 100-290/4	15	97757705	97757675	96887764
-	-	TP 100-340/4	18.5			
-	-	TP 100-390/4	22			
-	-	TP 100-470/4	30			
-	-	TP 125-80/4	3.0			
-	-	TP 125-110/4	4.0			
-	-	TP 125-135/4	5.5			
-	-	TP 125-100/4	3.0	97757697	97757659	97790022
-	-	TP 125-120/4	4.0			
-	-	TP 125-140/4	5.5			
-	-	TP 125-130/4	5.5			
-	-	TP 125-160/4	7.5			
-	-	TP 125-200/4	11	97757698	97757671	97790080
-	-	TP 125-230/4	15			
-	-	TP 125-210/4	11			
-	-	TP 125-220/4	15			
-	-	TP 125-280/4	18.5			
-	-	TP 125-340/4	22			
-	-	TP 125-365/4	30			
-	-	TP 125-260/4	15	97757705	97757675	96887764
-	-	TP 125-320/4	18.5			
-	-	TP 125-360/4	22			
-	-	TP 125-420/4	30			
-	-	TP 125-480/4	37			
-	-	TP 125-430/4	30			
-	-	TP 125-490/4	37			
-	-	TP 150-130/4	11			
-	-	TP 150-160/4	15	97757698	97757671	97790080
-	-	TP 150-200/4	18.5			
-	-	TP 150-220/4	22			
-	-	TP 150-170/4	11			
-	-	TP 150-190/4	15	97757698	97757671	97790080
-	-	TP 150-230/4	18.5			
-	-	TP 150-250/4	22			
-	-	TP 150-180/4	15			
-	-	TP 150-210/4	18.5			
-	-	TP 150-240/4	22	97757703	97757673	96887763
-	-	TP 150-300/4	30			
-	-	TP 150-340/4	37			
-	-	TP 150-360/4	30	97757705	97757675	96887764
-	-	TP 150-400/4	37			
-	-	TP 150-440/4	45			
-	-	TP 150-480/4	55			
-	-	TP 150-610/4	75	97757707	97757676	96887765
-	-	TP 150-700/4	90			
-	-	TP 150-810/4	110			
-	-	TP 150-960/4	132			
-	-	TP 200-270/4	37	97757705	97757675	96887764
-	-	TP 200-80/4	7.5			
-	-	TP 200-110/4	11			
-	-	TP 200-140/4	15	97757698	97757671	97790080
-	-	TP 200-190/4	18.5			
-	-	TP 200-210/4	22			

2-pole		4-pole		O-ring, pos. 72a		
Pump type	P2 [kW]	Pump type	P2 [kW]	V (FKM)	E (EPDM)	F (FXM)
-	-	TP 200-250/4	30			
-	-	TP 200-280/4	37			
-	-	TP 200-320/4	45	97757703	97757673	96887763
-	-	TP 200-360/4	55			
-	-	TP 200-390/4	75			
-	-	TP 200-290/4	45			
-	-	TP 200-330/4	55			
-	-	TP 200-400/4	75	97757705	97757675	96887764
-	-	TP 200-440/4	90			
-	-	TP 200-500/4	110			
-	-	TP 200-430/4	55			
-	-	TP 200-490/4	75			
-	-	TP 200-540/4	90	97757707	97757676	96887765
-	-	TP 200-600/4	110			
-	-	TP 200-680/4	132			
-	-	TP 200-770/4	160			

TP Series 300

TP Series 300 TP, TPE, TPD, TPED



TM02 4983 3415

TP Series 400

DN 65 - DN 250

Air vent screw

Pos.	Description/kit No	96121641
17	Air vent screw	1

Impeller screw

Pos.	Description/kit No	96121643
68	Screw M8 x 30	1
	Screw M12 x 40	1
	Screw M16 x 50	1

Shaft seal, 10 bar

The kits include the shaft seal (pos. 105) and a mounting cone.

Pump type	Shaft diameter [mm]
TP 100- 650/2	40
600/4	45
TP 125- 540/4	55
570/2, 730/2, 810/2	45
TP 150- 310/4, 370/4, 380/4, 420/4, 490/4, 550/4	55
TP 200- 260/4, 280/4, 300/4, 320/4, 350/4, 380/4, 390/4, 430/4, 520/4, 570/4	60
TP 250- 280/4, 310/4, 390/4, 450/4, 530/4, 580/4	

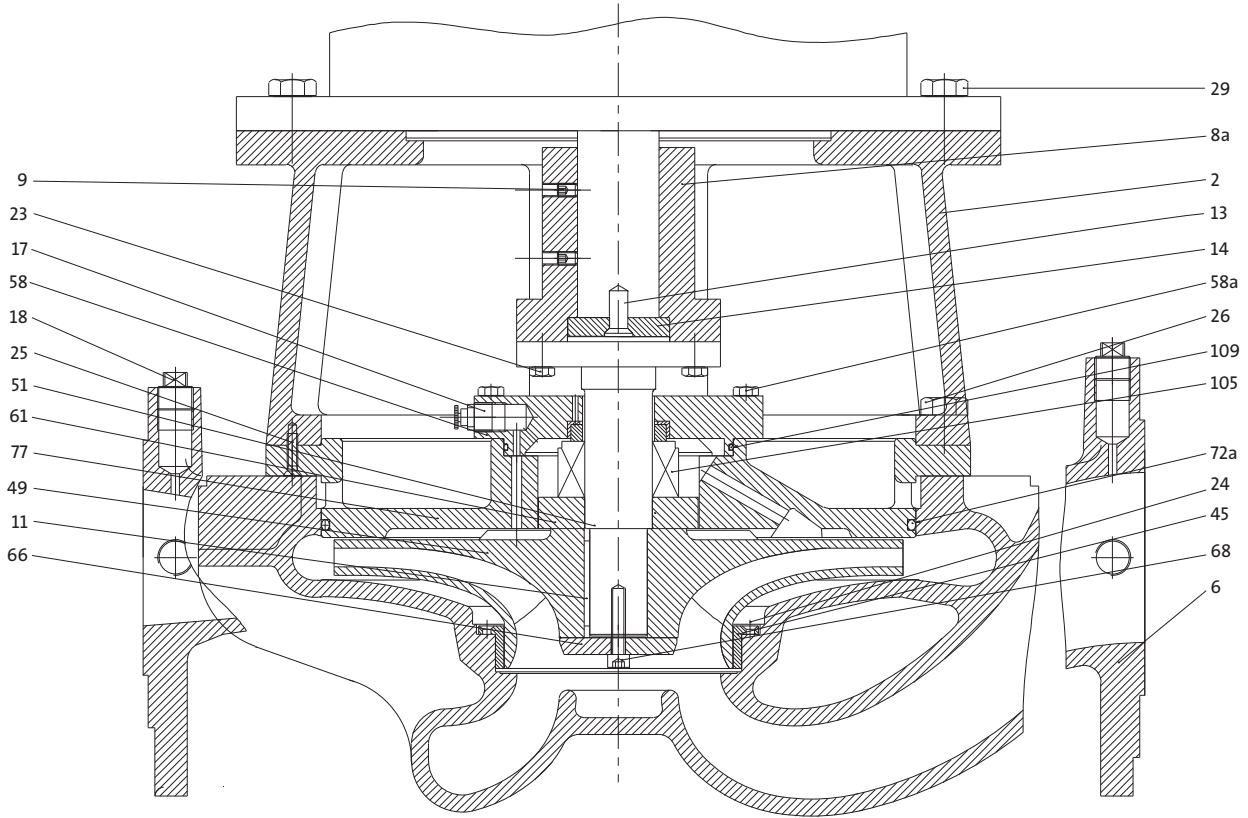
Type/shaft diameter [mm]	40	45	50	55	60
BAQE	96161882	96161883	96161885	96161884	96161886
BAQV	96161893	96161894	96161896	96161895	96161897
BQQE	96161911	96161912	96161914	96161913	98434945
BQQV	96161899	96161900	96161902	96161901	98434947
GQQE	96161888	96161889	96161890	96551584	96161891
GQQV	96161905	96161906	96161908	96161907	96161909

Shaft seal, 25 bar

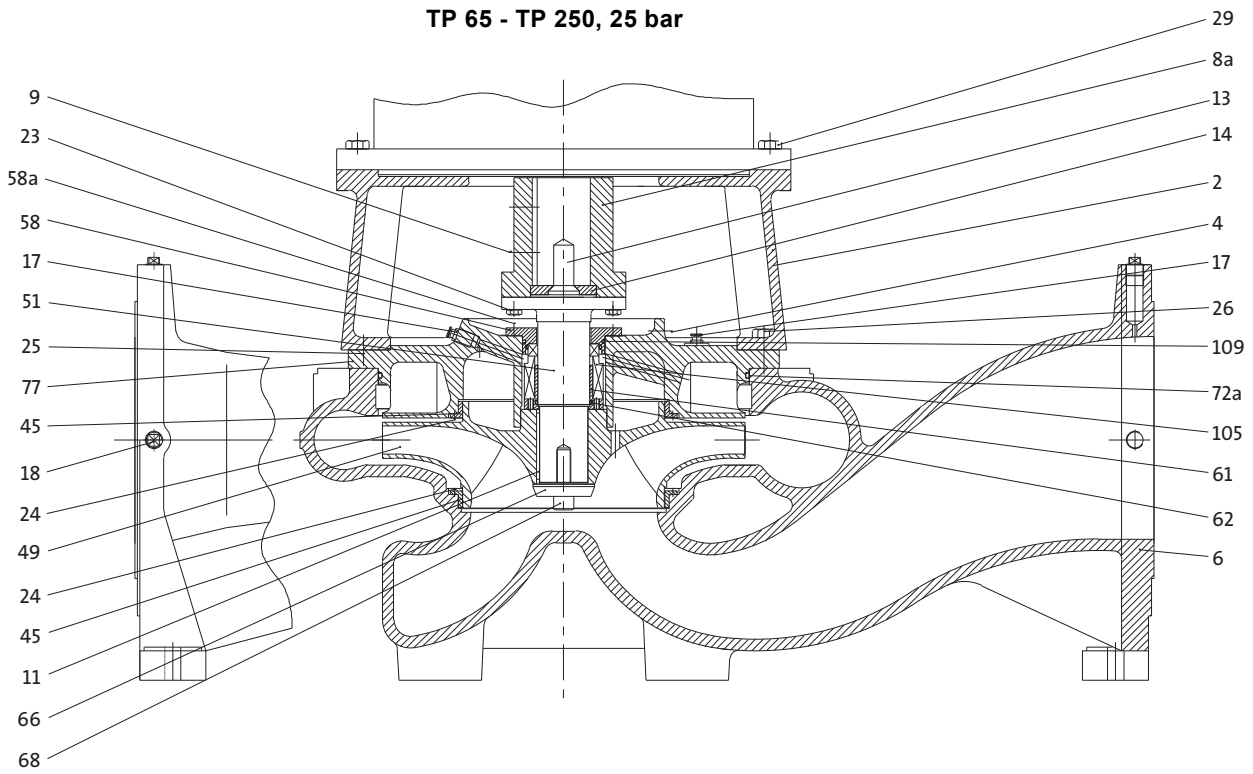
The kits include the shaft seal (pos. 105) and a mounting cone.

Pump type	Shaft diameter							
TP 65- 250/4, 350/4, 370/4, 430/4, 440/4, 570/4, 630/4	1 7/8"							
950/2, 1000/2, 1320/2, 1380/2, 1500/2, 1670/2, 2040/2, 2360/2	2 1/2"							
170/4, 210/4, 250/4, 270/4, 290/4, 350/4, 400/4,	1 5/8"							
300/4, 370/4, 390/4, 450/4, 530/4, 580/4,	1 7/8"							
TP 80- 730/2, 800/2, 900/2, 1020/2, 1040/2, 1160/2, 1210/2, 1410/2, 1570/2	2"							
1030/2, 1130/2, 1400/2, 1450/2, 1550/2, 1600/2, 1900/2, 2100/2, 2300/2	2 1/2"							
170/4, 210/4, 220/4, 250/4, 260/4, 330/4, 360/4	1 5/8"							
TP 100- 270/4, 320/4, 380/4, 420/4, 450/4, 530/4, 590/4, 620/2, 700/2, 820/2, 960/2, 1000/2, 1100/2, 1250/2, 1350/2	2"							
1050/2, 1180/2, 1400/2, 1450/2, 1530/2, 1560/2, 1680/2, 1700/2, 2100/2, 2350/2	2 5/8"							
150/4, 210/4, 240/4, 270/4, 310/4 (60 Hz), 320/4 (60 Hz), 370/4 (60 Hz)	1 7/8"							
580/2, 720/2, 750/2	2"							
TP 125- 280/4, 310/4 (50 Hz), 350/4, 370/4 (50 Hz), 430/4, 440/4, 500/4, 570/4, 620/4	2 1/2"							
480/4, 580/4, 640/4, 670/4, 830/4, 910/4	2 3/4"							
1060/2, 1160/2, 1310/2, 1500/2, 1670/2	2 5/8"							
170/4, 220/4, 230/4, 270/4, 350/4, 380/4	2 1/2"							
TP 150- 240/4, 320/4, 330/4, 370/4, 450/4, 490/4,	2 3/4"							
430/4, 530/4, 650/4, 710/4, 800/4, 930/4	2 3/4"							
190/4, 210/4, 220/4, 230/4, 250/4, 310/4	2 1/4"							
TP 200- 450/4, 510/4, 560/4, 620/4, 670/4, 760/4, 840/4, 930/4	2 3/4"							
260/4, 280/4, 350/4, 370/4, 380/4, 420/4, 520/4, 560/4,	2 5/8"							
TP 250- 270/4, 320/4, 370/4, 430/4, 500/4, 550/4,	3"							
490/4, 540/4, 600/4, 660/4, 720/4, 800/4, 910/4, 1020/4								
Type/shaft diameter	1 5/8"	1 7/8"	2"	2 1/4"	2 1/2"	2 3/4"	2 5/8"	3"
DBUE	96121645	96121646	96121647	96121644	96121648	96121649	96121650	96121652

TP 100 - TP 200, 10 bar



TP 65 - TP 250, 25 bar



TM02 7000 2203 - TM02 6998 2203

O-ring

The kits include O-rings (pos. 62, 72a, 109).

Pump type	Kit No
10 bar	
TP 100- 600/4	96121691
650/2	96121692
TP 125- 540/2	96121687
570/2, 730/2, 810/2	96121689
TP 150- 310/4, 370/4, 380/4, 420/4, 490/4, 550/4	96121687
TP 200- 260/4, 280/4, 300/4, 320/4, 350/4, 380/4, 390/4, 430/4, 520/4, 570/4	96121688
TP 250- 280/4, 310/4, 390/4, 450/4, 530/4, 580/4	-
25 bar	
TP 65- 250/4, 350/4, 370/4, 430/4, 440/4, 570/4, 630/4	96121677
950/2, 1000/2, 1320/2, 1380/2, 1500/2, 1670/2, 2040/2, 2360/2	96121681
1020/2, 1040/2	96121674
TP 80- 300/4, 370/4, 390/4, 450/4, 530/4, 580/4	96121677
170/4, 210/4, 250/4, 270/4, 290/4, 350/4, 400/4	96121679
1130/2, 1400/2, 1450/2, 1550/2, 1600/2, 1900/2, 2100/2, 2300/2	96121681
270/4, 320/4, 380/4, 420/4, 450/4, 530/4, 590/4	96121673
TP 100- 620/2, 700/2, 820/2, 960/2, 1000/2, 1250/2, 1350/2	96121674
170/4, 210/4, 220/4, 250/4, 260/4, 330/4, 360/4	96121679
1050/2, 1180/2, 1400/2, 1450/2, 1530/2, 1560/2, 1680/2, 1700/2, 2100/2, 2350/2	96121683
580/2, 720/2, 750/2	96121675
150/4, 210/4, 240/4, 270/4, 310/4 (60 Hz), 320/4 (60 Hz), 370/4 (60 Hz)	96121678
TP 125- 280/4, 310/4 (50 Hz), 320/4 (50 Hz), 350/4, 370/4 (50 Hz), 430/4, 440/4, 500/4, 570/4, 620/4	96121681
10060/2, 1160/2, 1310/2, 1500/2, 1670/2,	96121683
480/4, 580/4, 640/4, 670/4, 830/4, 910/4	96121686
170/4, 220/4, 230/4, 270/4, 350/4, 380/4	96121680
TP 150- 240/4, 270/4, 320/4, 330/4, 350/4, 370/4, 450/4, 490/4,	96121681
430/4, 530/4, 650/4, 710/4, 800/4, 930/4	96121686
190/4, 210/4, 220/4, 230/4, 250/4, 310/4	96121682
TP 200- 450/4, 510/4, 560/4, 620/4, 670/4, 760/4, 840/4, 930/4	96121684
260/4, 280/4, 350/4, 370/4, 380/4, 420/4, 520/4, 560/4	96121683
TP 250- 490/4, 540/4, 600/4, 660/4, 720/4, 800/4, 910/4, 1020/4	96121676
270/4, 320/4, 370/4, 430/4, 500/4, 550/4	96121685

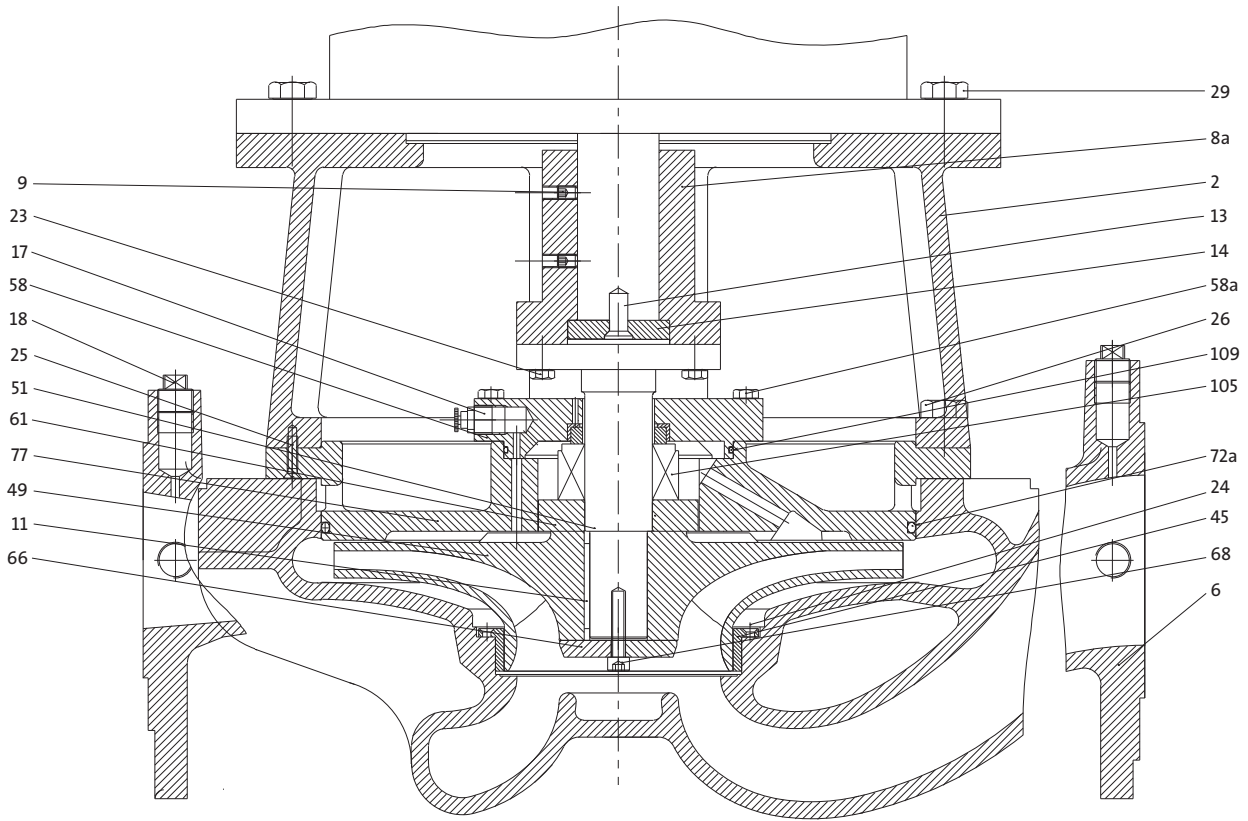
Wear parts

The kits include countersunk screws (pos. 24) and one neck ring (pos. 45).

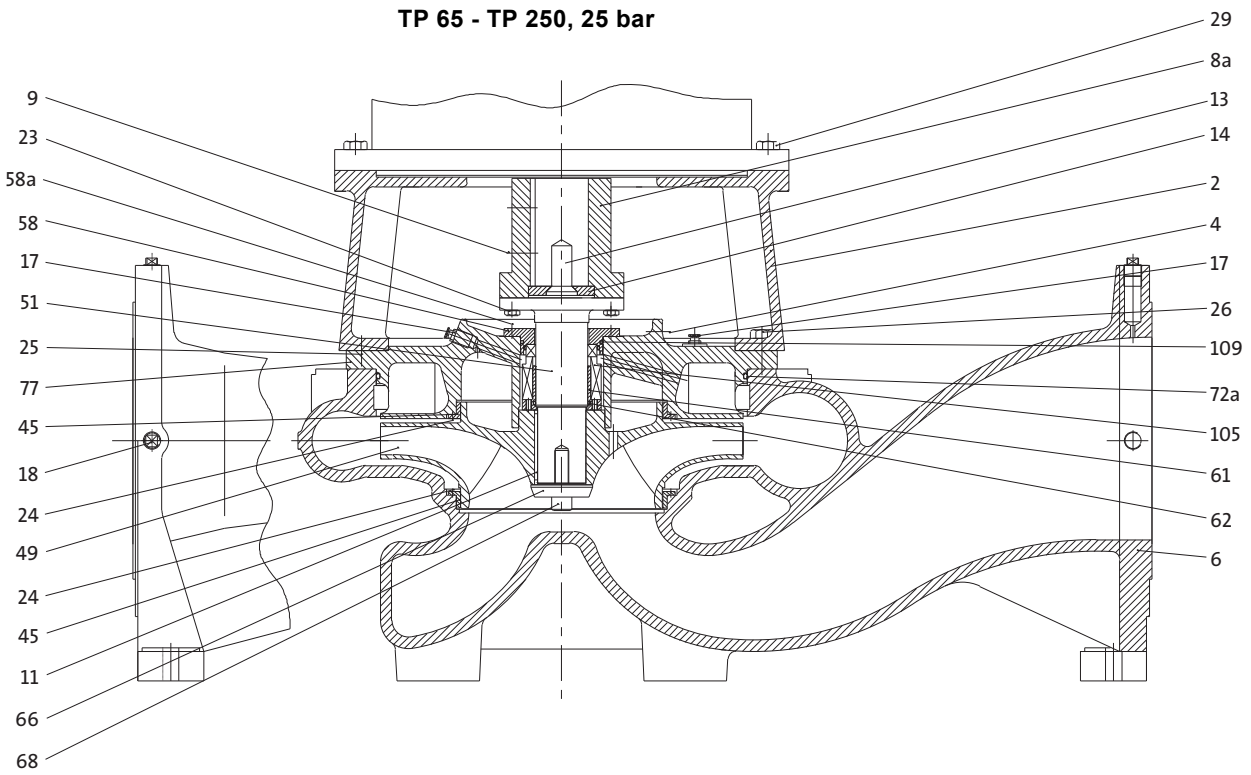
Pumps with two neck rings require two kits, these pumps are highlighted with bold.

Pump type	Kit No
TP 65- All models	96121667
TP 80- 170/4, 210/4, 250/4, 270/4, 290/4, 350/4, 400/4, 730/2, 800/2, 900/2, 1020/2, 1040/2, 1160/2, 1210/2, 1410/2, 1570/2	96121666
300/4, 370/4, 390/4, 450/4, 530/4, 580/4, 1030/2, 1130/2, 1400/2, 1450/2, 1550/2, 1600/2, 1900/2, 2100/2, 2300/2	96121667
TP 100- 170/4, 210/4, 220/4, 250/4, 260/4, 330/4, 360/4, 600/4, 620/2, 650/2, 700/2, 820/2, 960/2, 1000/2,	96121661
1100/2, 1250/2, 1350/2	
270/4, 320/4, 380/4, 420/4, 450/4, 530/4, 590/4, 1050/2, 1180/2, 1400/2, 1450/2, 1530/2, 1560/2, 1680/2, 1700/2,	96121668
2100/2, 2350/2	
TP 125- 150/4, 210/4, 240/4, 270/4, 280/4, 320/4, 350/4, 370/4, 430/4, 440/4, 500/4, 570/2, 570/4, 580/2, 620/4, 720/2,	96121662
730/2, 750/2, 810/2, 1160/2, 1310/2, 1500/2, 1670/2	
480/4, 580/4, 640/4, 670/4, 830/4, 910/4	96121663
1060/2	96121668
TP 150- 240/4, 270/4, 310/4, 320/4, 330/4, 350/4, 370/4, 380/4, 420/4, 450/4, 490/4, 550/4, 710/4, 800/4, 930/4	96121663
430/4, 530/4, 650/4	96121665
170/4, 220/4, 230/4, 380/4	96121669
TP 200- 260/4, 280/4, 300/4, 320/4, 350/4, 370/4, 380/4, 390/4, 430/4, 420/4, 450/4, 510/4, 520/4, 560/4, 570/4, 620/4,	96121664
670/4, 760/4, 840/4, 930/4	
190/4, 210/4, 220/4, 230/4, 310/4	96121670
430/4	96121664
TP 250- 270/4, 280/4, 310/4, 320/4, 370/4, 390/4, 450/4, 490/4, 500/4, 530/4, 540/4, 550/4, 580/4, 600/4, 660/4, 720/4,	96121665
800/4, 910/4, 1020/4	

TP 100 - TP 200, 10 bar



TP 65 - TP 250, 25 bar



TM02 7000 2203 - TM02 6998 2203

TP Series 400**DN 300 - DN 400****Air vent screw**

Pos.	Pump	TP 300	TP 400
	Description/kit No	96121641	96121642
17	Air vent screw	1	1
30	Union		2
31	Pipe bush		2
32	Pipe		1

Impeller screw

Pos.	Description/kit No	96121643
	Screw M8 x 30	1
68	Screw M12 x 40	1
	Screw M16 x 50	1

O-ring

Pos.	Description	Pump	TP 300	TP 400
		Kit No	96121693	96121694
62	O-ring		1	
72a	O-ring		1	2
109	O-ring		1	1

Wear parts

Pos.	Description	Pump	TP 300	TP 400
		Kit No	96121671	96121672
24(b)	Countersunk screw		6	6
45(b)	Neck ring		1	2
109	O-ring			2

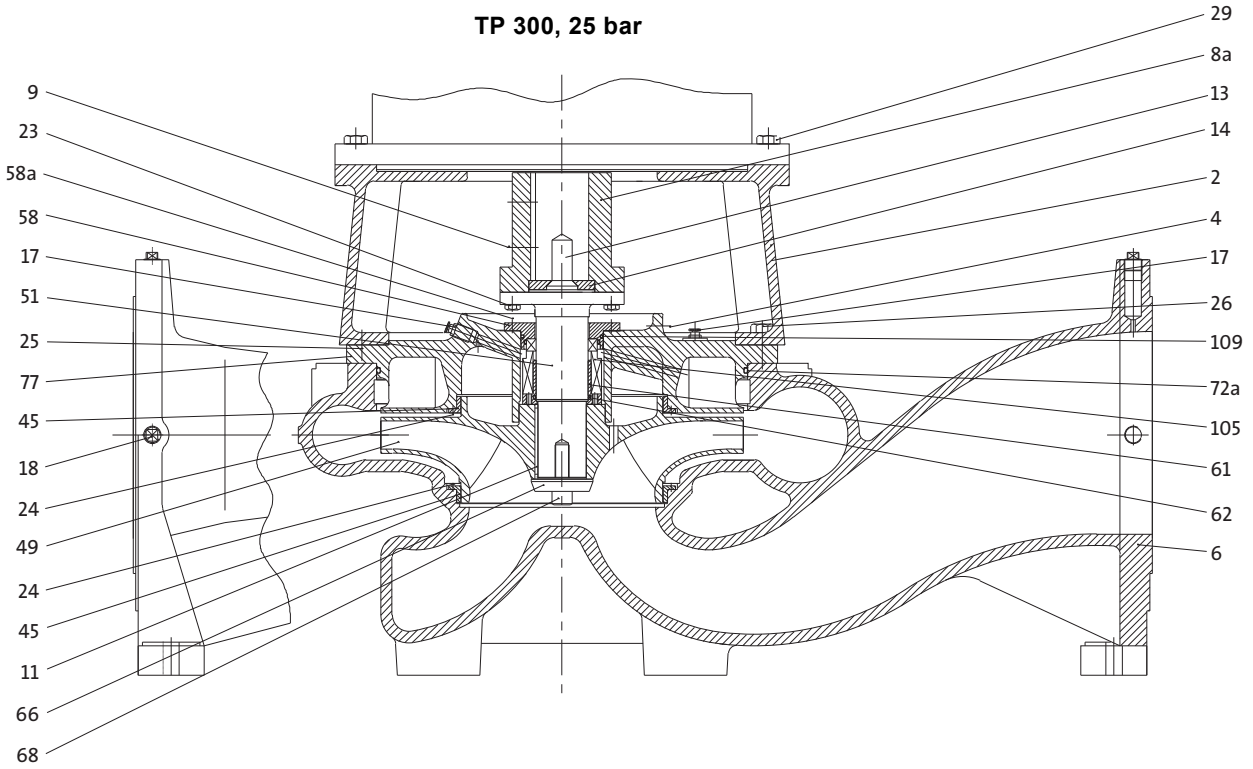
Wear ring for impeller, TP 400

Pos.	Description/kit No	96121695
45	Wear ring for impeller	2
24	Set screw	16

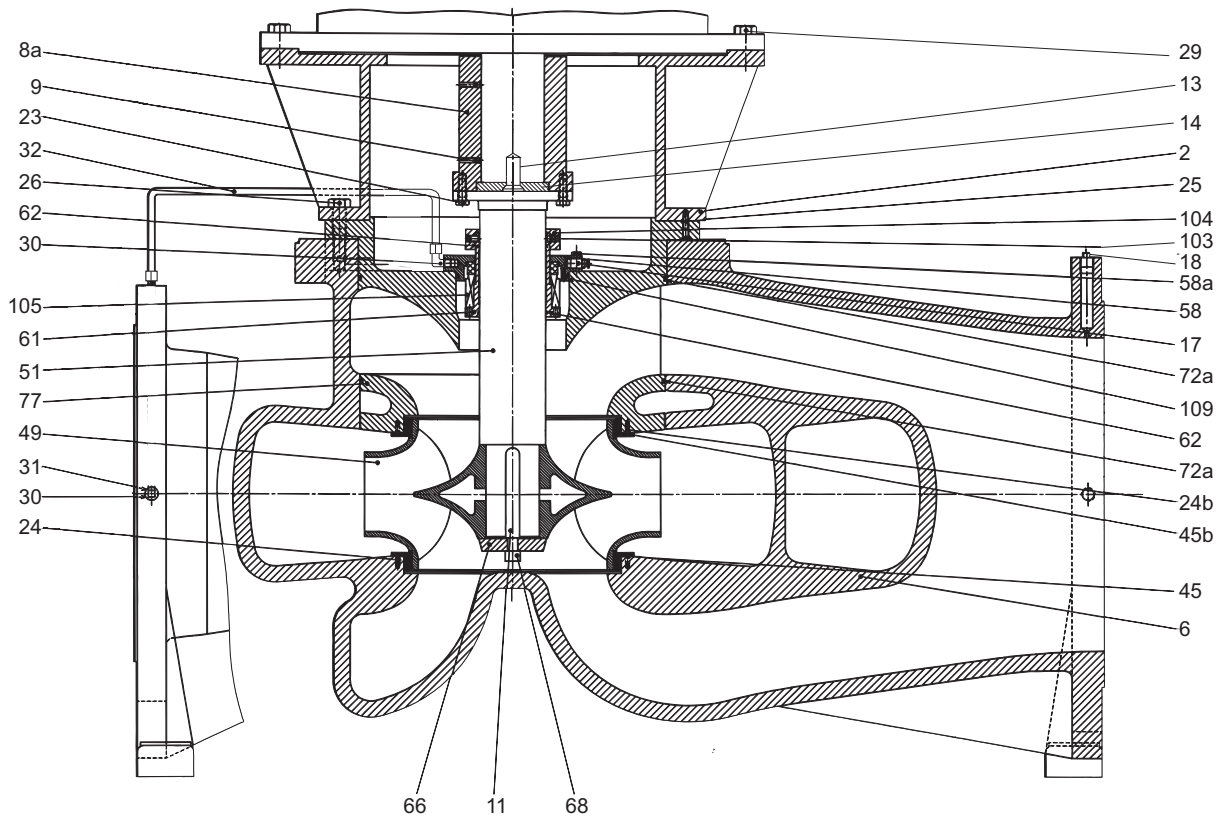
Shaft seal

Description	Pump	TP 300	TP 400
	Kit No	96121658	96121659
Shaft seal		DBUE	DBUE

TP 300, 25 bar



TP 400, 25 bar



TM02 6997 2715 - TM02 7000 2203